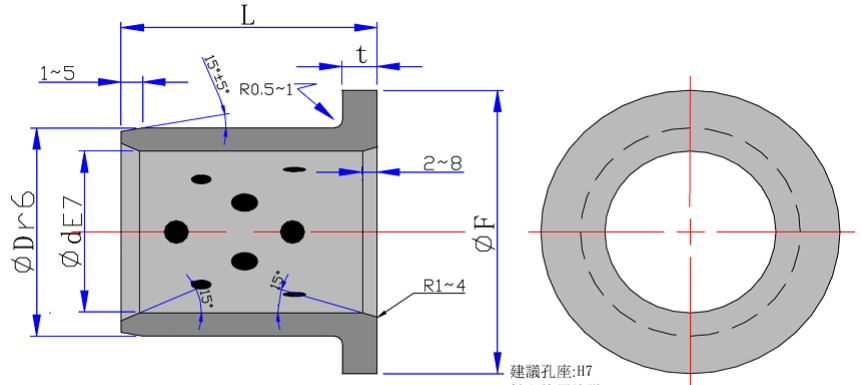


埋入型凸緣自潤軸承-SPF



產品標示法 : SPF-dxL
(SPF - 內徑 X 含凸緣長度)

建議孔座: H7
軸心使用建議
一般高荷重用: d8
一般輕荷重用: e7
高精度使用: f7

Ød	+0.040 +0.025	ØD	+0.034 +0.023	ØF	$t_{-0.1}^0$	$L_{-0.3}^{-0.1}$													
						10	15	20	25	30	35	40	50	60	67.5	80	100		
10		14		22	2	●	●	●											
12		18		25	3	●	●	●											
13		19		26	3	●	●	●											
14	+0.050 +0.032	20		27	3		●	●											
15		21	+0.041 +0.028	28	3		●	●	●	●									
16		22		29	3		●	●	●	●									
20		30		40	5		●	●	●	●		●							
25	+0.061 +0.040	35		45	5		●	●	●	●		●							
30		40		50	5			●	●	●	●	●							
31.5		40	+0.050 +0.034	50	5			●		●	●								
35		45		60	5			●		●		●	●						
40	+0.075 +0.050	50		65	5			●		●		●	●						
45		55		70	5				●		●	●	●						
50		60	+0.060 +0.041	75	5				●		●	●	●						
55		65		80	5					●		●							
60		75	+0.062	90	7.5					●	●	●			●				
63	+0.090	75	+0.043	85	7.5								●						
70	+0.060	85		105	7.5							●			●				
75		90	+0.073 +0.051	110	7.5								●						
80		100		120	10								●		●		●		
90		110		130	10								●		●				
100	+0.107 +0.072	120	+0.076 +0.054	150	10										●		●		
120		140		170	10										●		●		