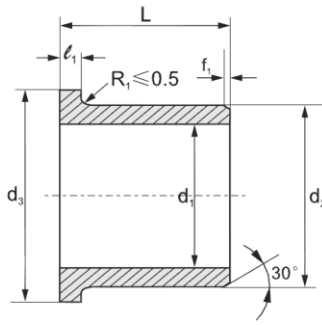


Plastic Flanged Plain Bearing-EPF



Recommend fitting tolerance:

Housing: H7

Shaft: h9

Order:

EP 3 F -0608-06

Material
 d_1 d_2 L
 Flange bushes

d	f ₁
d ≤ 10	0.5
10 < d ≤ 30	0.8
30 < d	1.2

Designation	d ₁ (After fitting)	d ₂	d ₃ (d13)	L (h13)	e ₁ -0.14	Designation	d ₁ (After fitting)	d ₂	d ₃ (d13)	L (h13)	e ₁ -0.14
EPF-0304-03	3 ^{+0.054} _{+0.014}	4.5	7.5	3	0.75	EPF-1820-17	18 ^{+0.102} _{+0.032}	20	26	17	1
EPF-0304-05				5		EPF-1820-20				20	
EPF-0405-03	4 ^{+0.068} _{+0.020}	5.5	9.5	3		1.5	EPF-2023-11	20 ^{+0.124} _{+0.040}	23	30	11.5
EPF-0405-04				4			EPF-2023-16				16.5
EPF-0405-06				6			EPF-2023-21				21.5
EPF-0507-04	5 ^{+0.068} _{+0.020}	7	11	4			EPF-2528-11	25 ^{+0.124} _{+0.040}	28	35	11.5
EPF-0507-05				5			EPF-2528-16				16.5
EPF-0608-04	6 ^{+0.068} _{+0.020}	8	12	4			EPF-2528-21				21.5
EPF-0608-06				6		EPF-3034-16	30 ^{+0.124} _{+0.040}	34	42	16	
EPF-0608-08				8		EPF-3034-26				26	
EPF-0608-10				10		EPF-3034-37				37	
EPF-0810-05	8 ^{+0.083} _{+0.025}	10	15	5.5		2	EPF-3236-16	32 ^{+0.150} _{+0.050}	36	40	16
EPF-0810-07				7.5	EPF-3236-26		26				
EPF-0810-09				9.5	EPF-3539-16		35 ^{+0.150} _{+0.050}	39	47	16	
EPF-1012-07	7	EPF-3539-26	26								
EPF-1012-09	10 ^{+0.083} _{+0.025}	12	18	9	1		EPF-3842-22	38 ^{+0.150} _{+0.050}	42	54	22
EPF-1012-10				10			EPF-4044-30				40 ^{+0.150} _{+0.050}
EPF-1012-12				12		EPF-4044-40	40				
EPF-1012-15				15		EPF-4550-50	45 ^{+0.150} _{+0.050}	50	58	50	
EPF-1012-17				17		EPF-5055-40				50 ^{+0.150} _{+0.050}	55
EPF-1214-07				12 ^{+0.102} _{+0.032}		14	20	7	EPF-5055-50		
EPF-1214-09	9	EPF-6065-50	70					78			
EPF-1214-10	10	EPF-6570-50	65 ^{+0.180} _{+0.060}					70	78	78	
EPF-1214-12	12	EPF-7075-50								75	83
EPF-1214-15	15	EPF-7580-50	75 ^{+0.180} _{+0.060}					80	88	88	
EPF-1214-17	17	EPF-8085-100								80 ^{+0.180} _{+0.060}	85
EPF-1214-20	20	EPF-8590-100	85					98			
EPF-1416-10	14 ^{+0.102} _{+0.032}	16	22		10			EPF-9095-100	90 ^{+0.212} _{+0.072}	95	103
EPF-1416-12				12	EPF-95100-100	95	108				
EPF-1416-17				17	EPF-100105-100	100 ^{+0.212} _{+0.072}	105	113			
EPF-1517-09	15 ^{+0.102} _{+0.032}	17	23	9	EPF-110115-100				110 ^{+0.212} _{+0.072}	115	123
EPF-1517-12				12	EPF-120125-100	120	133				
EPF-1517-17				17	EPF-125130-100	125 ^{+0.245} _{+0.085}	130	138			
EPF-1517-20				20	EPF-130135-100				130	143	
EPF-1618-12	16 ^{+0.102} _{+0.032}	18	24	12	EPF-140145-100	140 ^{+0.245} _{+0.085}	145	153			
EPF-1618-17				17	EPF-150155-100				150	163	
EPF-1820-12	18 ^{+0.102} _{+0.032}	20	26	12							