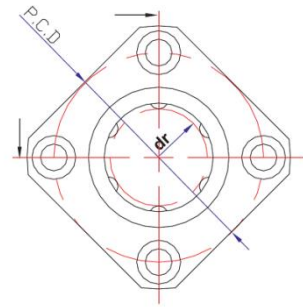
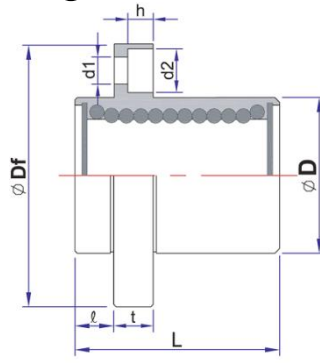


# Pilot End Square Flange Linear Bearing-LMKP



LMKP-UU

Main Dimensions															Squar- eness	Eccentricity (max.)	Basic load rating									
Model No.	Number of ball rows	Weight g	Inscribed circle diameter		Outer diameter		Length		l	Flange				Hole for attachment			Dynamic C(kgf)	Static Co(kgf)								
			dr	Tolerance	D	Tolerance	L	Tolerance		Df	K	t	P.C.D	d1					d2	h						
LMKP 6	4	18	6	0	12	0	19	±0.30	5	28	22	5	20	3.5	6	3.1	0.012	0.012	21	27						
LMKP 8		29	8		15	-0.013	24			32	25		24													
LMKP10		52	10		19	29	40			30	29															
LMKP12		57	12		-0.009	21	0			30	42		32						32	6	6	4.5	7.5	4.1	38	56
LMKP13		72	13		23	-0.016	32			0	43		34						33						52	80
LMKP16		104	16		28	37	-0.20			48	37		38						79						120	
LMKP20	5	145	20	32	0	42	-0.30	8	54	42	8	43	5.5	9	5.1	0.015	0.015	90	140							
LMKP25		300	25	40	0	59			62	50		51						100	160							
LMKP30		375	30	45	-0.019	64			74	58		60						10	10	6.6	11	6.1	160	280		
LMKP35	560	35	52	0	70	82	64	67	13	13	9	14	8.1	170	320											
LMKP40	880	40	60	0	80	96	75	78						220	410											
LMKP50	6	2000	50	80	-0.022	100	-0.30	13	116	92	13	98	9	14	8.1	0.020	0.020	390	810							
LMKP60		2560	60	90	0	110			18	134		106						18	112	11	17.5	10.8	0.025	0.025	480	1020