

Rexroth 滾珠螺桿傳動系統

法蘭式單螺母 FEM-E-C

標準系列

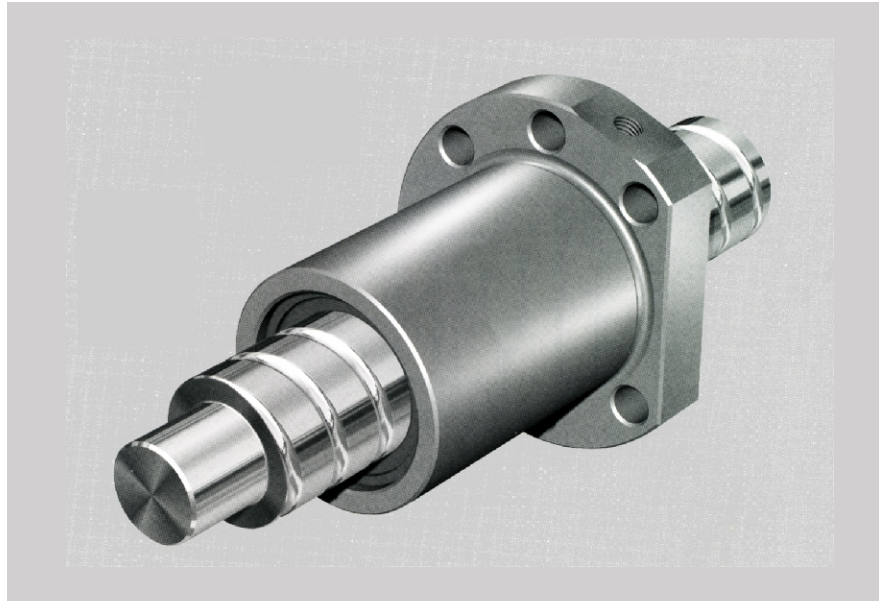
連接尺寸按
DIN 69 051, 第5章
法蘭形式 C

帶標準密封

加強型密封

帶軸向間隙, 減小的軸向間隙,
預緊2%或5%額定動載荷

用于滾壓精密螺桿SN-R, 公差等級
T5, T7, T9 和精密螺桿SN-F, 公差等
級P1, P3, P5(T7)



d_0 = 公稱直徑

P = 螺距

(R = 右, L = 左)

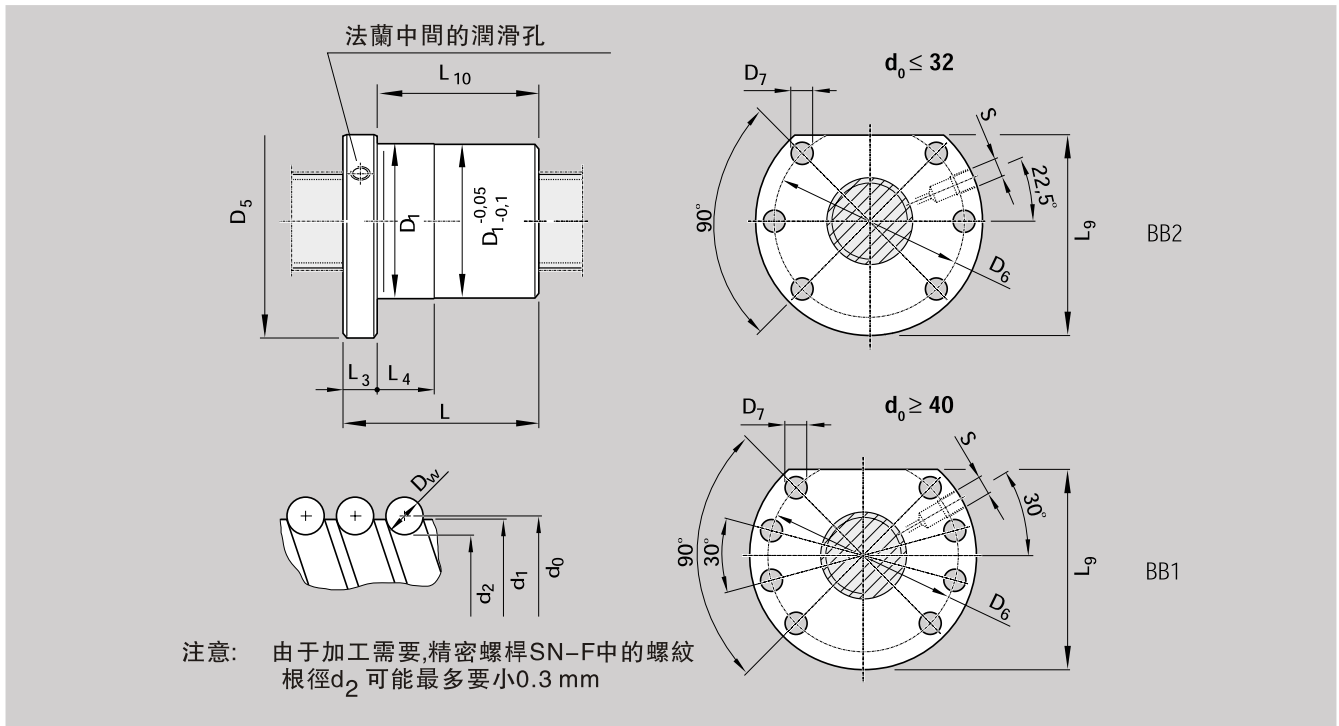
D_w = 滾珠直徑

i = 螺母內滾珠螺旋圈數

订货编码:

FEM-E-C 20 x 5R x 3-4 1 2 T7 R 82Z120 41Z120 1250 1 0

規格 $d_0 \times P \times D_w - i$	部件號	額定載荷		速度* v_{max} [m/min]
		動載 C (N)	靜載 C_0 (N)	
16 x 5R x 3 - 4	1502-0-1065	12300	16100	30
16 x 10R x 3 - 3	1502-0-4085	9600	12300	60
16 x 16R x 3 - 3	1502-0-6065	9300	12000	96
20 x 5R x 3 - 4	1502-1-1085	14300	21500	30
20 x 20R x 3.5 - 3	1502-1-7065	13300	18800	120
25 x 5R x 3 - 4	1502-2-1085	15900	27200	30
25 x 10R x 3 - 4	1502-2-4085	15700	27000	60
25 x 25R x 3.5 - 3	1502-2-8065	14700	23300	150
32 x 5R x 3.5 - 4	1502-3-1085	21600	40000	23
32 x 10R x 3.969 - 5	1502-3-4086	31700	58300	47
32 x 20R x 3.969 - 3	1502-3-7065	19700	33700	94
32 x 32R x 3.969 - 3	1502-3-9065	19500	34000	150
40 x 5R x 3.5 - 5	1502-4-1086	29100	64100	19
40 x 10R x 6 - 4	1502-4-4085	50000	86400	38
40 x 12R x 6 - 4	1502-4-5065	49900	86200	45
40 x 16R x 6 - 4	1502-4-6065	49700	85900	60
40 x 20R x 6 - 3	1502-4-7085	37900	62800	75
40 x 40R x 6 - 3	1502-4-9065	37000	62300	150
50 x 5R x 3.5 - 5	1502-5-1086	32000	81300	15
50 x 10R x 6 - 6	1502-5-4086	79700	166500	30
50 x 12R x 6 - 6	1502-5-5066	79600	166400	36
50 x 16R x 6 - 6	1502-5-6066	79400	166000	48
50 x 20R x 6.5 - 5	1502-5-7086	75700	149700	60
50 x 40R x 6.5 - 3	1502-5-9065	46500	85900	120
63 x 10R x 6 - 6	1502-6-4086	88800	214300	24
63 x 20R x 6.5 - 5	1502-6-7086	83900	190300	48
63 x 40R x 6.5 - 3	1502-6-9065	53400	114100	95
80 x 10R x 6.5 - 6	1502-7-4086	108400	291700	19
80 x 20R x 12.7 - 6	1502-7-7096	262700	534200	30
100 x 10R x 6.5 - 6	1502-8-4066	119500	371900	10
100 x 20R x 12.7 - 6	1502-8-7066	295100	686400	20
125 x 10R x 6.5 - 6	1502-9-4066	130600	468700	8
125 x 20R x 12.7 - 6	1502-9-7066	326500	870400	16



	尺寸 (mm)												重量 m (kg)	
	d_1	d_2	D_1 g6	D_5	安裝孔圖	D_6	D_7	L	L_3	L_4	L_9	L_{10}		S
	15.0	12.9	28	48	BB2	38	5.5	38	12	10	44.0	26	M6	0.19
	15.0	12.9	28	48	BB2	38	5.5	45	12	16	44.0	33	M6	0.21
	15.0	12.9	28	48	BB2	38	5.5	61	12	20	44.0	49	M6	0.26
	19.0	16.9	36	58	BB2	47	6.6	40	12	10	51.0	28	M6	0.31
	19.3	16.7	36	58	BB2	47	6.6	77	12	25	51.0	65	M6	0.49
	24.0	21.9	40	62	BB2	51	6.6	45	12	10	55.0	33	M6	0.36
	24.0	21.9	40	62	BB2	51	6.6	64	12	20	55.0	52	M6	0.47
	24.0	21.4	40	62	BB2	51	6.6	95	12	30	55.0	83	M6	0.63
	31.0	28.4	50	80	BB2	65	9.0	48	13	10	71.0	35	M6	0.62
	31.0	27.9	50	80	BB2	65	9.0	77	13	16	71.0	64	M6	0.84
	31.0	27.9	50	80	BB2	65	9.0	84	13	25	71.0	71	M6	0.90
	31.0	27.9	50	80	BB2	65	9.0	120	13	40	71.0	107	M6	1.21
	39.0	36.4	63	93	BB1	78	9.0	54	15	10	81.5	39	M8x1	1.03
	38.0	33.8	63	93	BB1	78	9.0	70	15	16	81.5	55	M8x1	1.19
	38.0	33.8	63	93	BB1	78	9.0	75	15	25	81.5	60	M8x1	1.27
	38.0	33.8	63	93	BB1	78	9.0	90	15	25	81.5	75	M8x1	1.51
	38.0	33.8	63	93	BB1	78	9.0	88	15	25	81.5	73	M8x1	1.44
	38.0	33.8	63	93	BB1	78	9.0	142	15	45	81.5	127	M8x1	2.16
	49.0	46.4	75	110	BB1	93	11.0	54	15	10	97.5	39	M8x1	1.39
	48.0	43.8	75	110	BB1	93	11.0	90	18	16	97.5	72	M8x1	2.14
	48.0	43.8	75	110	BB1	93	11.0	105	18	25	97.5	87	M8x1	2.38
	48.0	43.8	75	110	BB1	93	11.0	128	18	25	97.5	110	M8x1	2.75
	48.0	43.4	75	110	BB1	93	11.0	132	18	25	97.5	114	M8x1	2.73
	48.0	43.4	75	110	BB1	93	11.0	149	18	45	97.5	131	M8x1	3.04
	61.0	56.8	90	125	BB1	108	11.0	90	22	16	110.0	68	M8x1	2.56
	61.0	56.4	95	135	BB1	115	13.5	132	22	25	117.5	110	M8x1	4.51
	61.0	56.4	95	135	BB1	115	13.5	149	22	45	117.5	127	M8x1	5.04
	78.0	73.3	105	145	BB1	125	13.5	95	22	16	127.5	73	M8x1	3.40
	76.0	67.0	125	165	BB1	145	13.5	170	25	25	147.5	145	M8x1	10.20
	98.0	93.4	125	165	BB1	145	13.5	95	25	16	147.5	70	M8x1	4.40
	96.0	87.1	150	202	BB1	176	17.5	170	30	25	178.5	140	M8x1	14.30
	123.0	118.0	150	202	BB1	176	17.5	95	25	16	178.5	70	M8x1	5.65
	121.0	112.0	170	222	BB1	196	17.5	170	40	25	198.5	130	M8x1	16.10