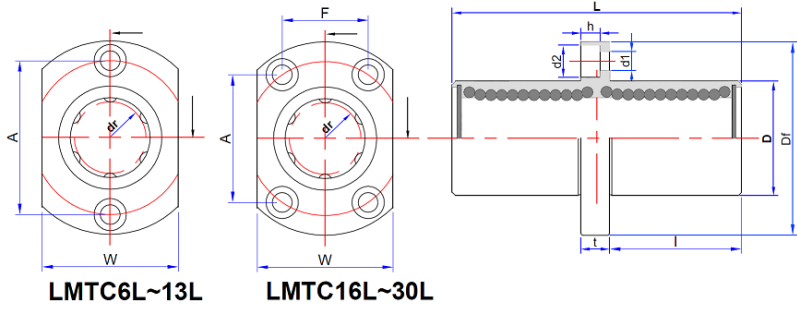


Centered Two Side Flange Linear Bearing Long Type-LMTC-L



Main Dimensions																	Basic load rating					
Model No.	Number of ball rows	Weight g	Inscribed circle diameter		Outer diameter		Length		l	Flange					Hole for attachment		Squar- eness	Eccentricity (max.)	Dynami c	Static		
			dr	Tolerance	D	Tolerance	L	Tolerance		Df	W	t	A	F	d1	d2			h	C(kgf)	C ₀ (kgf)	
LMTC 6L	4	28	6	0	12	0	35	0	15	28	18	5	20	3.5	6	3.1	0.015	0.015	33	54		
LMTC 8L		47	8		15	-0.013	45		20	32	21		24									
LMTC10L		90	10		19	-0.010	55		24.5	40	25		29									
LMTC12L		102	12		21		0		57	25.5	42		27						32	7.	4.1	
LMTC13L		123	13		23		-0.016		61	27.5	43		29						33			
LMTC16L	5	182	16	28	70	32	48	34	31	22	6	4.5	5	0.020	0.020	125	240					
LMTC20L		247	20	32	0	80	36	54	38	36						24	8	5.5	9	5.1	143	280
LMTC25L		6	525	25	40	0	112	0	52	62						46					40	32
LMTC30L	645		30	45	-0.012	123	-0.40	56.5	74	51	10	49	35	254	560							