

Rexroth 滾珠螺桿傳動系統

法蘭式單螺母 FEM-E-S

標準系列

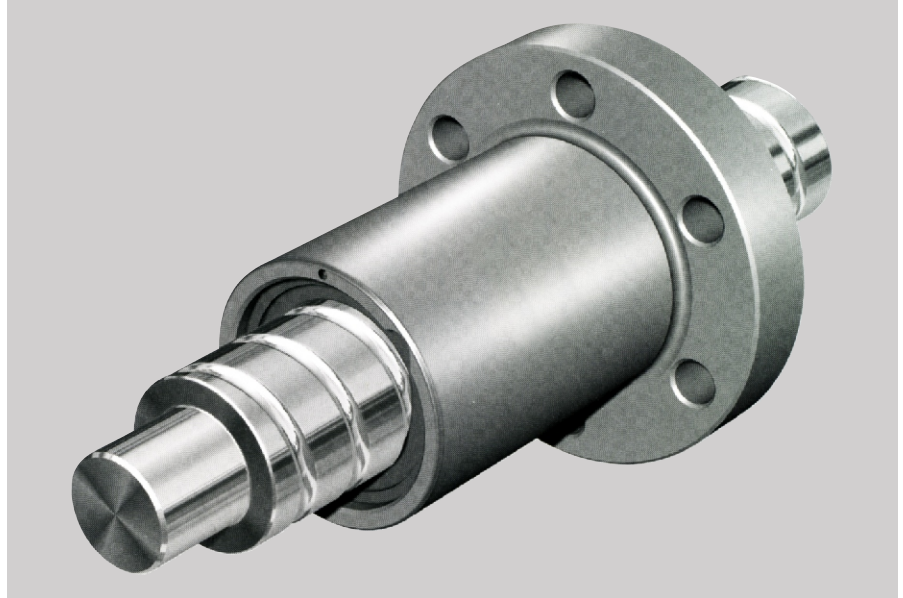
Rexroth 連接尺寸

帶標準密封

加強型密封

帶軸向間隙,減小的軸向間隙,
預緊2%或5%額定動載荷

用于滾壓精密螺桿SN-R,公差等級
T5,T7,T9 和精密螺桿SN-F,公差等
級P1,P3,P5(T7)



d_0 = 公稱直徑

P = 螺距

(R = 右, L = 左)

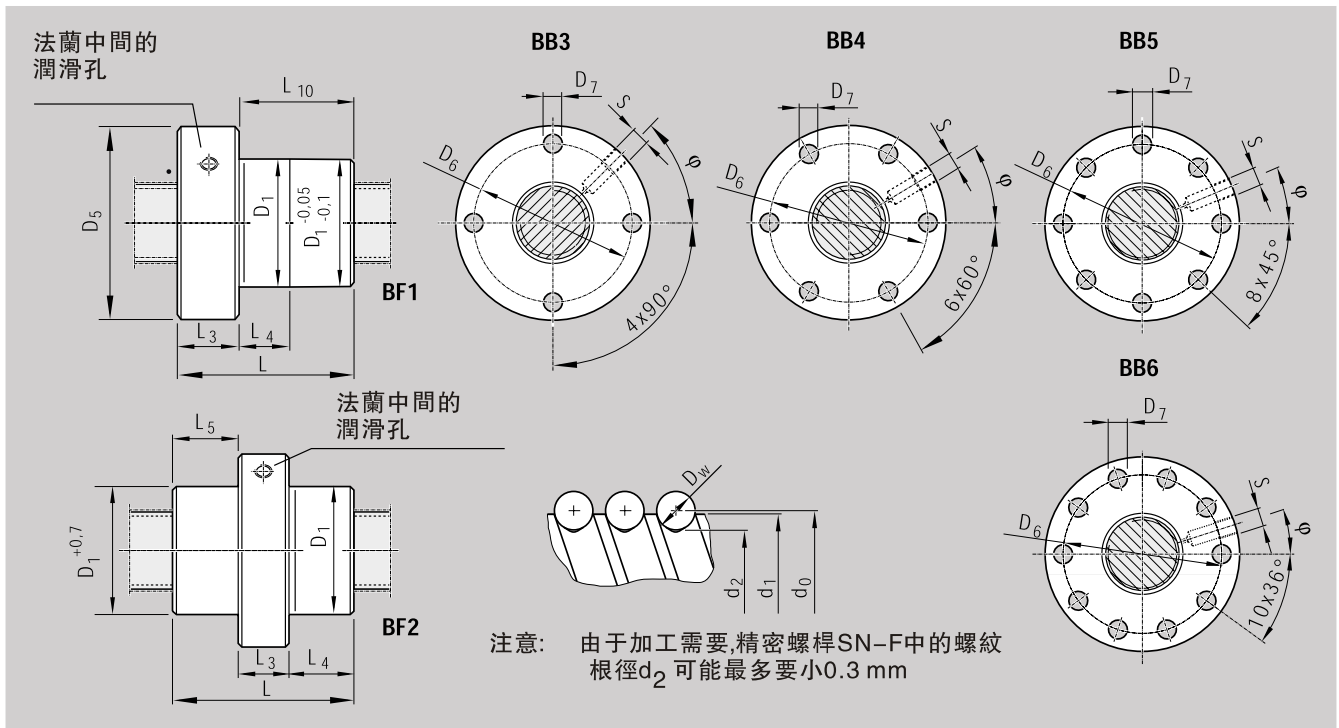
D_w = 滾珠直徑

i = 螺母內滾珠螺旋圈數

訂貨編碼:

FEM-E-S 20 x 5R x 3-4 1 2 T7 R 82Z120 41Z120 1250 1 0

規格 $d_0 \times P \times D_w - i$	部件號	額定載荷		速度* v_{max} [m/min]	
		動載 C (N)	靜載 C_0 (N)		
8 x 2.5R x 1.588 - 3	1532-2-3003	2200	2800	15	
12 x 5R x 2 - 3	1532-4-6023	3800	5800	30	
12 x 10R x 2 - 2	1532-4-9013	2500	3600	60	
16 x 5R x 3 - 4	1512-0-1023	12300	16100	30	
16 x 10R x 3 - 3	1512-0-4013	9600	12300	60	
16 x 16R x 3 - 2	1512-0-6013	6300	7600	96	
20 x 5R x 3 - 4	1512-1-1013	14300	21500	30	
20 x 20R x 3.5 - 2	1512-1-7013	9100	12100	120	
25 x 5R x 3 - 4	1512-2-1013	15900	27200	30	
25 x 10R x 3 - 4	1512-2-4013	15700	27000	60	
25 x 25R x 3.5 - 2	1512-2-8013	10100	15100	150	
32 x 5R x 3.5 - 4	1512-3-1013	21600	40000	23	
32 x 10R x 3.969 - 5	1512-3-4013	31700	58300	47	
32 x 20R x 3.969 - 2	1512-3-7013	13500	21800	94	
32 x 32R x 3.969 - 2	1512-3-9013	13400	22000	150	
40 x 5R x 3.5 - 5	1512-4-1013	29100	64100	19	
40 x 10R x 6 - 4	1512-4-4013	50000	86400	38	
40 x 20R x 6 - 3	1512-4-7013	37900	62800	75	
40 x 40R x 6 - 2	1512-4-9013	25500	40300	150	
50 x 5R x 3.5 - 5	1512-5-1013	32000	81300	15	
50 x 10R x 6 - 6	1512-5-4013	79700	166500	30	
50 x 16R x 6 - 6	1512-5-6013	79400	166000	48	
50 x 20R x 6.5 - 3	1512-5-7013	47900	87900	60	
50 x 40R x 6.5 - 2	1512-5-9013	32100	55800	120	
63 x 10R x 6 - 6	1512-6-4013	88800	214300	24	
63 x 20R x 6.5 - 3	1512-6-7013	53200	112100	48	
63 x 40R x 6.5 - 2	1512-6-9013	36900	74300	95	
80 x 10R x 6.5 - 6	1512-7-4013	108400	291700	19	
80 x 20R x 12.7 - 6	1512-7-7023	262700	534200	30	
100 x 10R x 6.5 - 6	1502-8-4002	119500	371900	10	
100 x 20R x 12.7 - 6	1502-8-7002	295100	686400	20	
125 x 10R x 6.5 - 6	1502-9-4002	130600	468700	8	
125 x 20R x 12.7 - 6	1502-9-7002	326500	870400	16	



	尺寸 (mm)															重量 m (Kg)
	d_1	d_2	D_1 g6	D_5	安裝孔圖	D_6	D_7	結構型式	L	L_3	L_4	L_5	L_{10}	S	ϕ (°)	
	7.5	6.3	16	30	BB4	23	3.4	BF1	16	8	8	0	8	4	30	0.05
	11.4	9.9	24	40	BB4	32	4.5	BF1	28	12	10	0	16	M6	330	0.12
	11.4	9.9	24	40	BB4	32	4.5	BF1	33	12	16	0	21	M6	330	0.14
	15.0	12.9	28	53	BB3	40	6.6	BF1	38	12	10	0	26	M6	315	0.24
	15.0	12.9	28	53	BB3	40	6.6	BF1	45	12	16	0	33	M6	315	0.25
	15.0	12.9	33	58	BB4	45	6.6	BF2	45	15	15	15	0	M6	30	0.39
	19.0	16.9	33	58	BB4	45	6.6	BF1	40	12	10	0	28	M6	30	0.28
	19.3	16.7	38	63	BB4	50	6.6	BF2	57	20	18.5	18.5	0	M6	30	0.60
	24.0	21.9	38	63	BB4	50	6.6	BF1	45	12	10	0	33	M6	30	0.35
	24.0	21.9	38	63	BB4	50	6.6	BF1	64	12	16	0	52	M6	30	0.44
	24.0	21.4	48	73	BB4	60	6.6	BF2	70	25	22.5	22.5	0	M6	18	1.09
	31.0	28.4	48	73	BB4	60	6.6	BF1	48	13	10	0	35	M6	30	0.54
	31.0	27.9	48	73	BB4	60	6.6	BF1	77	13	16	0	64	M6	30	0.72
	31.0	27.9	56	80	BB4	68	6.6	BF1	64	15	25	0	49	M6	30	1.02
	31.0	27.9	56	80	BB4	68	6.6	BF2	88	20	34	34	0	M6	30	1.40
	39.0	36.4	56	80	BB4	68	6.6	BF1	54	15	10	0	39	M8x1	30	0.71
	38.0	33.8	63	95	BB4	78	9	BF1	70	15	16	0	55	M8x1	30	1.29
	38.0	33.8	63	95	BB4	78	9	BF1	88	15	25	0	73	M8x1	30	1.54
	38.0	33.8	72	110	BB4	90	11	BF2	102	40	31	31	0	M8x1	19	3.59
	49.0	46.4	68	98	BB4	82	9	BF1	54	15	10	0	39	M8x1	30	1.02
	48.0	43.8	72	110	BB4	90	11	BF1	90	18	16	0	72	M8x1	30	2.02
	48.0	43.8	72	110	BB4	90	11	BF1	128	18	25	0	110	M8x1	30	2.58
	48.0	43.4	85	125	BB4	105	11	BF1	92	22	25	0	70	M8x1	30	3.40
	48.0	43.4	85	125	BB4	105	11	BF1	109	22	45	0	87	M8x1	30	3.87
	61.0	56.8	85	125	BB4	105	11	BF1	90	22	16	0	68	M8x1	30	2.62
	61.0	56.4	95	140	BB4	118	14	BF1	92	22	25	0	70	M8x1	30	3.71
	61.0	56.4	95	140	BB4	118	14	BF1	109	22	45	0	87	M8x1	30	4.21
	78.0	73.3	105	150	BB4	125	14	BF1	95	22	16	0	73	M8x1	30	3.78
	76.0	67.0	125	180	BB5	152	18	BF1	170	25	25	0	145	M8x1	22.5	11.00
	98.0	93.4	125	180	BB5	152	18	BF1	95	25	16	0	70	M8x1	22.5	5.46
	96.0	87.1	145	200	BB5	172	18	BF1	170	30	25	0	140	M8x1	22.5	14.50
	123.0	118.0	150	210	BB5	180	18	BF1	95	30	16	0	65	M8x1	22.5	7.49
	121.0	112.0	170	230	BB6	200	18	BF1	170	40	25	0	130	M8x1	18	19.00