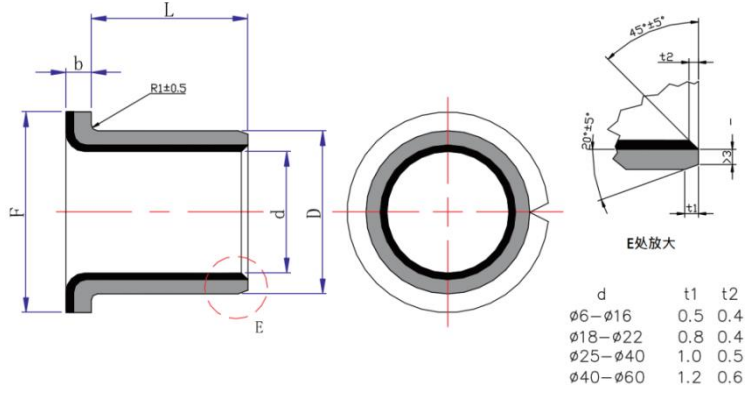


碳钢基无给油翻边轴承-PFF



PFF FLANGED BUSH SERIES



内径 Ød	外径 ØD	翻边外径 ØF±0.5	翻边厚度 b-0.2	L±0.25													
				4	5	6	7	8	10	12	15	20	25	30	40		
5	7	10	1	●	●	●											
6	8	12			●	●	●	●									
7	9	13			●		●										
8	10	15					●		●	●	●						
10	12	18					●	●	●	●	●	●					
12	14	20					●	●	●	●	●	●					
14	16	22								●	●	●					
15	17	23								●	●	●	●				
16	18	24								●		●	●				
18	20	26								●	●	●	●				
20	23	31	1.5						●	●	●	●	●				
22	25	32							●	●	●	●					
25	28	35							●	●	●	●	●				
30	34	42	2							●	●	●	●	●			
35	39	47										●	●	●	●	●	
40	44	53								●		●	●	●	●	●	
45	50	60	2.5									●	●	●	●		
50	55	65											●		●	●	
55	60	70													●	●	
60	65	75													●	●	

配合轴公差 f7，孔座公差 H7。