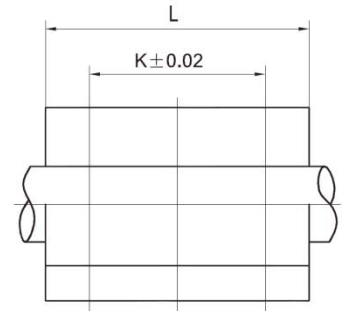
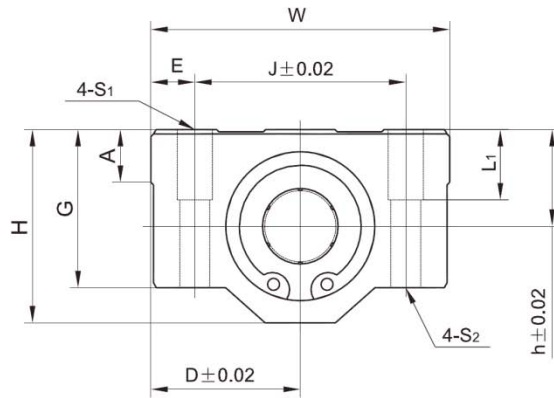


樹脂直線軸承-LIN-11G



型號	安裝軸承	軸徑	尺寸 (mm)								
			h	D	W	H	G	A	J	E	S ₁ ×L ₁
LIN-11G-12	LIN-11R-12	12	15	22	44	30	24	8	33	6.5	M5×10
LIN-11G-16	LIN-11R-16	16	19	25	50	38.5	32.5	9	36	7	M5×12
LIN-11G-20	LIN-11R-20	20	21	27	54	41	35	11	40	7	M6×12
LIN-11G-25	LIN-11R-25	25	26	38	76	51.5	41	12	54	11	M8×18
LIN-11G-30	LIN-11R-30	30	30	39	78	59.5	49	15	58	10	M8×18
LIN-11G-40	LIN-11R-40	40	40	51	102	78	62	20	80	11	M10×25
LIN-11G-50	LIN-11R-50	50	52	61	122	102	80	25	100	11	M10×25

型號	軸徑	S ₂	K	L	公差 mm	極限動荷載 P=5MPa mm	極限靜荷載 P=35MPa mm	重量 g
LIN-11G-12	12	Ø4.3	26	39	0.030 ~ 0.088	1152 N	8064 N	79
LIN-11G-16	16	Ø4.3	34	44	0.030 ~ 0.088	1728 N	12096 N	125
LIN-11G-20	20	Ø5.2	40	53	0.030 ~ 0.091	2700 N	18900 N	159
LIN-11G-25	25	Ø7	50	67	0.030 ~ 0.091	4350 N	30650 N	343
LIN-11G-30	30	Ø7	58	76	0.040 ~ 0.110	6120 N	42840 N	450
LIN-11G-40	40	Ø8.7	60	90	0.040 ~ 0.115	9600 N	67200 N	1021
LIN-11G-50	50	Ø8.7	80	110	0.040 ~ 0.130	15000 N	105000 N	1871