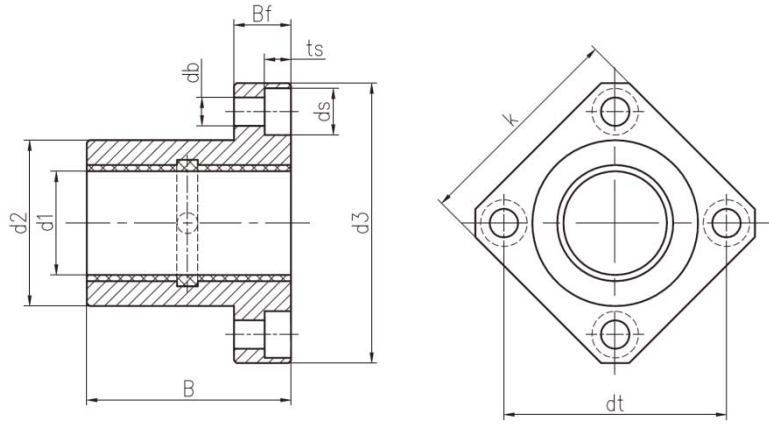


# 樹脂直線軸承-LIN-11RT



型號	d1 mm	d2 h7 mm	dt mm	k mm	d3 mm	B mm	Bf mm	ts mm	db mm	ds mm
LIN-11RT-06B	6	12	21	23	29	21	8	3.1	3.5	6
LIN-11RT-08B	8	16	24	25	32	25	8	3.1	3.5	6
LIN-11RT-10	10	19	29	30	39	29	9	4.1	4.5	7.5
LIN-11RT-12	12	22	32	32	42	32	9	4.1	4.5	7.5
LIN-11RT-16	16	26	36	35	46	36	9	4.1	4.5	7.5
LIN-11RT-20	20	32	43	42	54	45	11	5.1	5.5	9.0
LIN-11RT-25	25	40	51	50	62	58	11	5.1	5.5	9.0
LIN-11RT-30	30	47	62	60	76	68	14	6.1	6.6	11.0
LIN-11RT-40	40	62	80	75	98	80	18	8.1	9.0	14.0
LIN-11RT-50	50	75	94	88	112	100	18	8.1	9.0	14.0

型號	d1 mm	座孔 H7 mm	公差 mm	極限動荷載 P=5MPa mm	極限靜荷載 P=35MPa mm	重量 g
LIN-11RT-06B	6	12	0 ~ 0.018	525 N	3675 N	15
LIN-11RT-08B	8	16	0 ~ 0.018	960 N	6720 N	20
LIN-11RT-10	10	19	0 ~ 0.021	870 N	6090 N	34
LIN-11RT-12	12	22	0 ~ 0.021	1152 N	8064 N	43
LIN-11RT-16	16	26	0 ~ 0.021	1728 N	12096 N	54
LIN-11RT-20	20	32	0 ~ 0.025	2700 N	18900 N	91
LIN-11RT-25	25	40	0 ~ 0.025	4350 N	30650 N	154
LIN-11RT-30	30	47	0 ~ 0.025	6120 N	42840 N	266
LIN-11RT-40	40	62	0 ~ 0.030	9600 N	67200 N	555
LIN-11RT-50	50	75	0 ~ 0.030	15000 N	105000 N	852