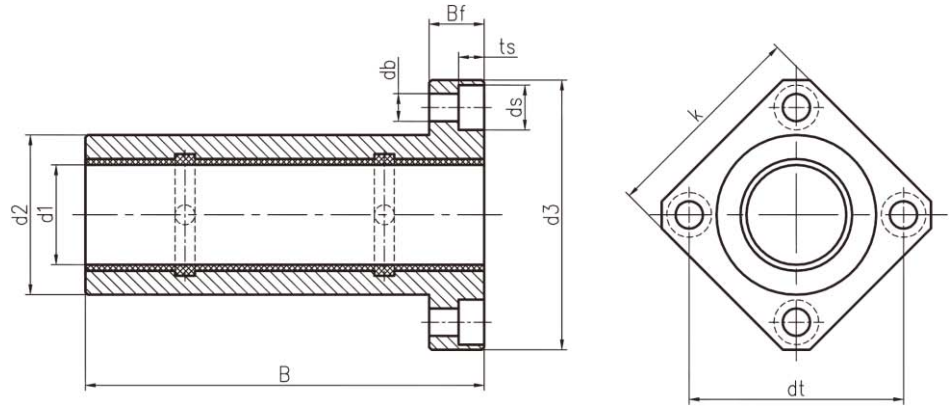


樹脂直線軸承-LIN-12RTL



型號	d1 mm	d2 h7 mm	dt mm	k mm	d3 mm	B mm	Bf mm	ts mm	db mm	ds mm
LIN-12RTL-10	10	19	29	30	39	52	9	4.1	4.5	7.5
LIN-12RTL-12	12	22	32	32	42	57	9	4.1	4.5	7.5
LIN-12RTL-16	16	26	36	35	46	70	9	4.1	4.5	7.5
LIN-12RTL-20	20	32	43	42	54	80	11	5.1	5.5	9.0
LIN-12RTL-25	25	40	51	50	62	112	11	5.1	5.5	9.0
LIN-12RTL-30	30	47	62	60	76	123	14	6.1	6.6	11.0
LIN-12RTL-40	40	62	80	75	98	151	18	8.1	9.0	14.0
LIN-12RTL-50	50	75	94	88	112	192	18	8.1	9.0	14.0

型號	d1 mm	公差 mm	極限動荷載 P=5MPa mm	極限靜荷載 P=35MPa mm	重量 g
LIN-12RTL-10	10	0.030 ~ 0.080	1300 N	9100 N	44
LIN-12RTL-12	12	0.030 ~ 0.080	1680 N	11760 N	57
LIN-12RTL-16	16	0.030 ~ 0.080	2400 N	16800 N	79
LIN-12RTL-20	20	0.030 ~ 0.091	3000 N	21000 N	126
LIN-12RTL-25	25	0.030 ~ 0.091	5000 N	35000 N	249
LIN-12RTL-30	30	0.030 ~ 0.110	7500 N	52500 N	388
LIN-12RTL-40	40	0.030 ~ 0.115	12000 N	84000 N	835
LIN-12RTL-50	50	0.030 ~ 0.130	17500 N	122500 N	1352