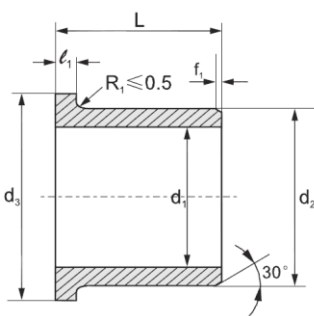


# 樹脂凸緣自潤軸承-EPF



Recommend fitting tolerance:

Housing: H7

Shaft: h9

Order:

EP 3 F - 06 08 - 06

Material  
Flange bushes  
d<sub>1</sub> d<sub>2</sub> L

d	f <sub>i</sub>
d ≤ 10	0.5
10 < d ≤ 30	0.8
30 < d	1.2

規格	d <sub>1</sub> (After fitting)	d <sub>2</sub>	d <sub>3</sub> (d13)	L (h13)	e <sub>r</sub> -0.14	規格	d <sub>1</sub> (After fitting)	d <sub>2</sub>	d <sub>3</sub> (d13)	L (h13)	e <sub>r</sub> -0.14
EPF-0304-03	3 <sup>+0.054</sup> / <sub>+0.014</sub>	4.5	7.5	3	0.75	EPF-1820-17	18 <sup>+0.102</sup> / <sub>+0.032</sub>	20	26	17	1
EPF-0304-05				5		EPF-1820-20				20	
EPF-0405-03	4 <sup>+0.068</sup> / <sub>+0.020</sub>	5.5	9.5	3		1.5	EPF-2023-11	20 <sup>+0.124</sup> / <sub>+0.040</sub>	23	30	11.5
EPF-0405-04				4			EPF-2023-16				16.5
EPF-0405-06				6			EPF-2023-21				21.5
EPF-0507-04	5 <sup>+0.068</sup> / <sub>+0.020</sub>	7	11	4			EPF-2528-11	25 <sup>+0.124</sup> / <sub>+0.040</sub>	28	35	11.5
EPF-0507-05				5			EPF-2528-16				16.5
EPF-0608-04	6 <sup>+0.068</sup> / <sub>+0.020</sub>	8	12	4			EPF-2528-21				21.5
EPF-0608-06				6			EPF-3034-16	16			
EPF-0608-08				8			EPF-3034-26		26		
EPF-0608-10				10			EPF-3034-37		37		
EPF-0810-05	8 <sup>+0.083</sup> / <sub>+0.025</sub>	10	15	5.5			EPF-3236-16	32 <sup>+0.150</sup> / <sub>+0.050</sub>	36	40	16
EPF-0810-07				7.5	EPF-3236-26		26				
EPF-0810-09				9.5	EPF-3539-16		16				
EPF-1012-07	10 <sup>+0.083</sup> / <sub>+0.025</sub>	12	18	7	EPF-3539-26			26			
EPF-1012-09				9	EPF-3842-22		22				
EPF-1012-10				10	EPF-4044-30			30			
EPF-1012-12				12	EPF-4044-40	40					
EPF-1012-15				15	EPF-4550-50	50					
EPF-1012-17				17	EPF-5055-40	40					
EPF-1214-07	12 <sup>+0.102</sup> / <sub>+0.032</sub>	14	20	7	EPF-5055-50	50	2.5				
EPF-1214-09				9	EPF-6065-50			65			
EPF-1214-10				10	EPF-6570-50			70			
EPF-1214-12				12	EPF-7075-50			75			
EPF-1214-15				15	EPF-7580-50			80			
EPF-1214-17				17	EPF-8085-100	85					
EPF-1214-20				20	EPF-8590-100	90					
EPF-1416-10				14 <sup>+0.102</sup> / <sub>+0.032</sub>	16	22		10	EPF-9095-100	95	
EPF-1416-12								12	EPF-95100-100	100	
EPF-1416-17								17	EPF-100105-100	105	
EPF-1517-09	15 <sup>+0.102</sup> / <sub>+0.032</sub>	17	23	9	EPF-110115-100	115					
EPF-1517-12				12	EPF-120125-100	125					
EPF-1517-17				17	EPF-125130-100	130					
EPF-1517-20				20	EPF-130135-100	135					
EPF-1618-12	16 <sup>+0.102</sup> / <sub>+0.032</sub>	18	24	12	EPF-140145-100	145					
EPF-1618-17				17	EPF-150155-100	155					
EPF-1820-12	18 <sup>+0.102</sup> / <sub>+0.032</sub>	20	26	12							