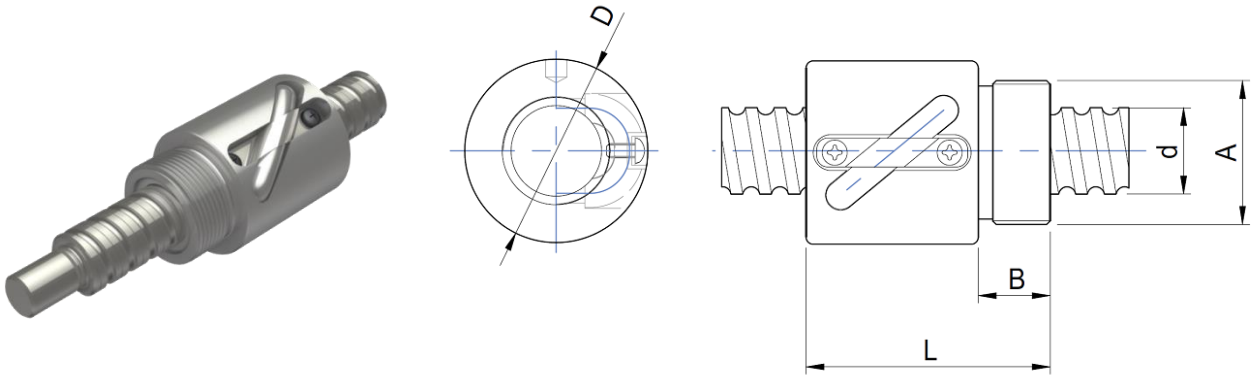


RSW



Model No.	Dimensions									
	d	l	Da	D	A	B	L	n	Ca(kgf)	Coa(kgf)
0825-2.5	8	2.5	1.2	17.5	M15×1P	7.5	23.5	B1	151	232
1003-2.5	10	3	1.8	21	M18×1P	9	29	B1	235	357
1204-3.5	12	4	2.381	25.5	M20×1P	10	34	C1	425	738
1205-3.5	12	5	2	25.5	M20×1P	10	39	C1	662	1036
1605-2.5	16	5	3.175	32.5	M26×1.5P	12	42	B1	716	1230