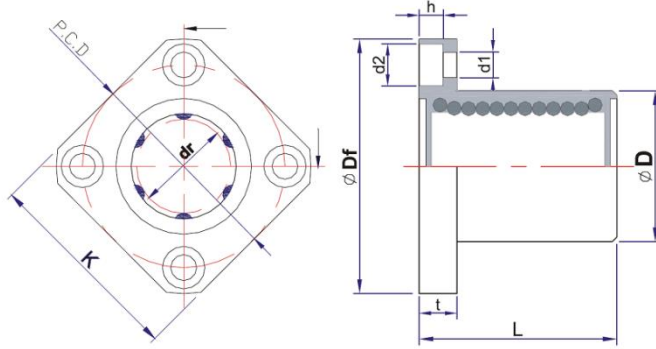
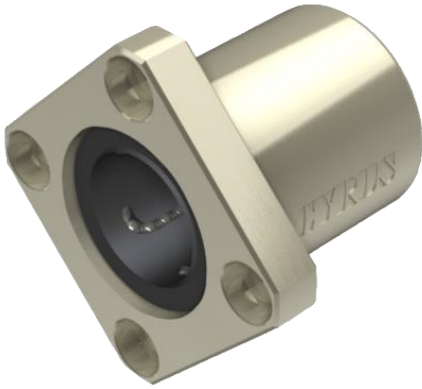


Square Flange Linear Bearing-LMK



LMK-UU

Main Dimensions																Squar- eness	Eccentricity (max.)	Basic load rating	
Model No.	Number of ball rows	Weight g	Inscribed circle diameter		Outer diameter		Length		Flange			Hole for attachment			Dynamic C(kgf)			Static Co(kgf)	
			dr	Tolerance	D	Tolerance	L	Tolerance	Df	K	t	P.C.D	d1	d2					h
LMK 6	4	18	6	0	12	0	19	0	28	22	20	3.5	6	3.1	0.012	0.012	21	27	
LMK8S		24	8		15	-0.011	17		32	25	5						24	18	22
LMK 8		29	8		15	24	32		25	24	28						40		
LMK10		52	10		19	29	40		30	29	38						56		
LMK12		57	12		21	0	30		-0.20	42	32						32	80	
LMK13		72	13		23	-0.013	32		43	34	6						33	80	
LMK16		5	104		16	28	37		48	37	38						120		
LMK20	145		20	32	42	54	42	8	43	140									
LMK25	300		25	40	0	59	62	50	8	51	160								
LMK30	6	375	30	45	-0.010	64	74	58	10	60	280								
LMK35		560	35	52	0	70	82	64	10	67	320								
LMK40		880	40	60	0	80	96	75	13	78	410								
LMK50		2000	50	80	-0.012	-0.019	100	116	92	13	98	810							
LMK60		2560	60	90	0	110	134	106	18	112	11	17.5	10.8	480	1020				
				-0.015	-0.022	0.020	0.020	0.025	0.025										