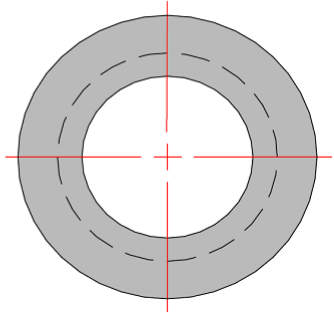
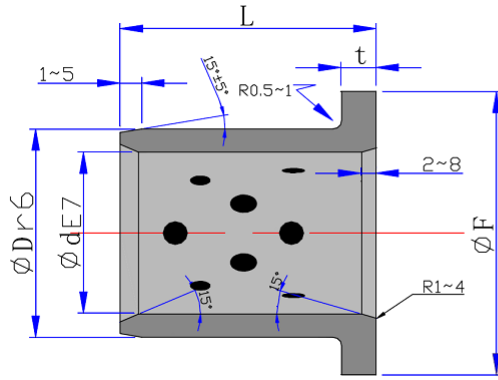


Self-lubricating Bronze Flanged Plain Bearing-SPF



Ød	ØD	ØF	$t_{-0.1}^0$	$L_{-0.3}^{-0.1}$														
				10	15	20	25	30	35	40	50	60	67.5	80	100			
10	+0.040 +0.025	14	+0.034 +0.023	22	2	●	●	●										
12	+0.050 +0.032	18	+0.041 +0.028	25	3	●	●	●										
13		19		26	3	●	●	●										
14		20		27	3		●	●										
15		21		28	3		●	●	●	●								
16		22		29	3		●	●	●	●								
20	+0.061 +0.040	30	+0.050 +0.034	40	5		●	●	●	●		●						
25		35		45	5		●	●	●	●		●						
30		40		50	5			●	●	●	●	●	●					
31.5	+0.075 +0.050	40	+0.060 +0.041	50	5		●		●	●								
35		45		60	5			●		●		●	●					
40		50		65	5			●		●		●	●					
45		55		70	5					●		●	●	●				
50	+0.090 +0.060	60	+0.073 +0.051	75	5				●		●	●	●					
55		65		80	5						●		●					
60		75		90	7.5						●	●	●			●		
63		75		85	7.5									●				
70		85		105	7.5								●			●		
75	+0.107 +0.072	90	+0.076 +0.054	110	7.5							●						
80		100		120	10								●		●	●		
90		110		130	10								●		●	●		
100		120		150	10									●	●			
120		140		170	10										●	●		