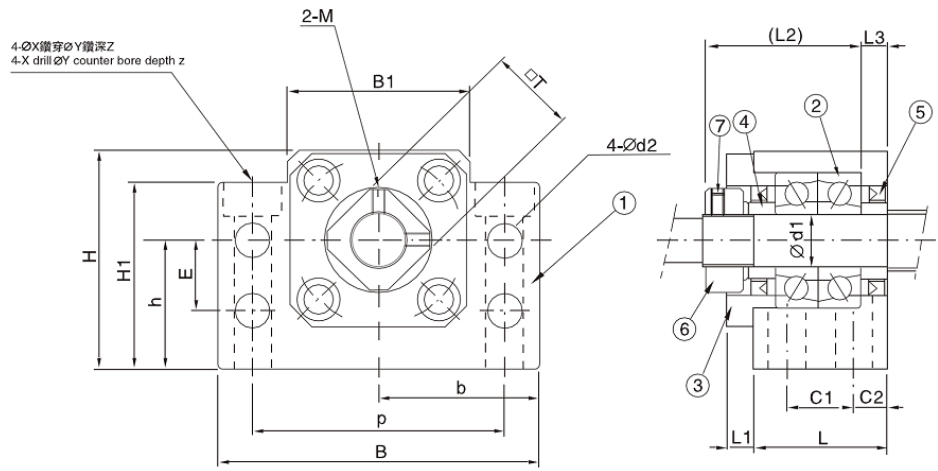


# BK



Model No.	Shaft Diameter d1	L	L1	L2	L3	B	H	b ±0.02	h ±0.02	B1	H1	E	P	C1	C2	d2	X	Y	Z	M	T	G	Q	Weight (Kgs)
BK10	10	25	5	29	5	60	39	30	22	34	32.5	15	46	13	6	5.5	6.6	10.8	5	M3	16	15	M6	0.4
BK12	12	25	5	29	5	60	43	30	25	35	32.5	18	46	13	6	5.5	6.6	10.8	1.5	M4	19	18	M6	0.45
BK15	15	27	6	32	6	70	48	35	28	40	38	18	54	15	6	5.5	6.6	11	6.5	M4	22	18	M6	0.6
BK17	17	35	9	44	7	86	64	43	39	50	55	28	68	19	8	6.6	9	14	8.5	M4	24	30	M6	1.3
BK20	20	35	8	43	8	88	60	44	34	52	50	22	70	19	8	6.6	9	14	8.5	M4	30	24	M6	1.3
BK25	25	42	12	54	9	106	80	53	48	64	70	33	85	22	10	9	11	17.5	11	M5	35	37	M6	2.4
BK30	30	45	14	61	9	128	89	64	51	76	78	33	102	23	11	11	14	20	13	M6	40	37	M6	3.4
BK35	35	50	14	67	12	140	96	70	52	88	79	35	114	26	12	11	14	20	13	M8	50	37	M6	4.4
BK40	40	61	18	76	15	160	110	80	60	100	90	37	130	33	14	14	18	26	17.5	M8	50	43	M6	6.8