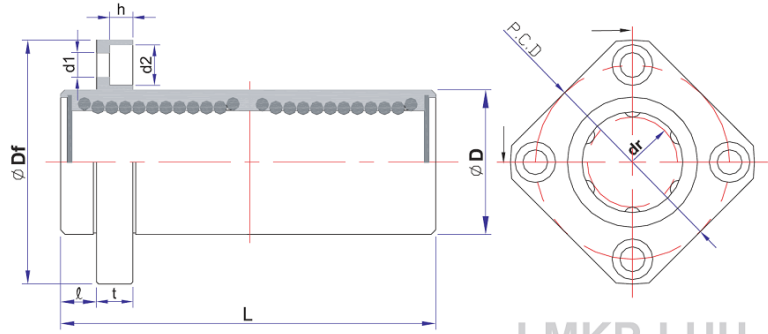


Pilot End Square Flange Linear Bearing Long Type-LMKP-L



LMKP-LUU

Main Dimensions																	Squar- eness	Eccentricity (max.)	Basic load rating							
Model No.	Number of ball rows	Weight g	Inscribed circle diameter		Outer diameter		Length		Flange				Hole for attachment			Dynamic C(kgf)			Static Co(kgf)							
			dr	Tolerance	D	Tolerance	L	Tolerance	Df	K	t	P.C.D	d1	d2	h											
LMKP 6L	4	25	6	0	12	0	35	0	5	28	22	5	20	3.5	6	3.1	0.015	0.015	33	54						
LMKP 8L		43	8		15	-0.013	45			32	25		24													
LMKP10L		78	10		19	55	40			30	29															
LMKP12L		90	12		21	0	57			42	32		32													
LMKP13L		108	13		23	-0.016	61			43	34		33													
LMKP16L		165	16		28	70	48			37	38															
LMKP20L	5	225	20	32	0	80	8	54	42	8	43	5.5	9	5.1	0.020	0.020	143	280								
LMKP25L		500	25	40	0	112		62	50		51															
LMKP30L		590	30	45	-0.019	123		74	58		60															
LMKP35L	6	930	35	52	0	135	10	82	64	10	67	6.6	11	6.1	0.025	0.025	270	640								
LMKP40L		1380	40	60	0	151		96	75		78															
LMKP50L		3400	50	80	-0.022	192		116	92		98															
LMKP60L		4060	60	0	90	0		209	13		134						106	13	98	9	14	8.1	0.025	0.025	350	820
																									-0.020	-0.025
								18	112	11	17.5	10.8	0.025	0.025	770	2040										