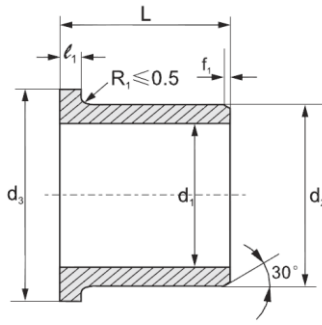


# 塑料翻边滑动轴承-EPF



推荐安装公差

座孔: H7

轴: h9

订货型号:

EP 3 F -0608 -06  
 材料 | 翻边轴套 | d<sub>1</sub> | d<sub>2</sub> | L

d	f <sub>1</sub>
d ≤ 10	0.5
10 < d ≤ 30	0.8
30 < d	1.2

规格	d <sub>1</sub> (After fitting)	d <sub>2</sub>	d <sub>3</sub> (d13)	L (h13)	e <sub>1</sub> -0.14	规格	d <sub>1</sub> (After fitting)	d <sub>2</sub>	d <sub>3</sub> (d13)	L (h13)	e <sub>1</sub> -0.14			
EPF-0304-03	3 <sup>+0.054</sup> / <sub>+0.014</sub>	4.5	7.5	3	0.75	EPF-1820-17	18 <sup>+0.102</sup> / <sub>+0.032</sub>	20	26	17	1			
EPF-0304-05				5		EPF-1820-20				20				
EPF-0405-03	4 <sup>+0.068</sup> / <sub>+0.020</sub>	5.5	9.5	3		1.5	EPF-2023-11	20 <sup>+0.124</sup> / <sub>+0.040</sub>	23	30	11.5			
EPF-0405-04				4			EPF-2023-16				16.5			
EPF-0405-06				6			EPF-2023-21				21.5			
EPF-0507-04	5 <sup>+0.068</sup> / <sub>+0.020</sub>	7	11	4			1.5	EPF-2528-11	25 <sup>+0.124</sup> / <sub>+0.040</sub>	28	35	11.5		
EPF-0507-05				5				EPF-2528-16				16.5		
EPF-0608-04	6 <sup>+0.068</sup> / <sub>+0.020</sub>	8	12	4				EPF-2528-21				21.5		
EPF-0608-06				6				EPF-3034-16	30 <sup>+0.124</sup> / <sub>+0.040</sub>	34	42	16		
EPF-0608-08				8				EPF-3034-26				26		
EPF-0608-10				10				EPF-3034-37				37		
EPF-0810-05	8 <sup>+0.083</sup> / <sub>+0.025</sub>	10	15	5.5				2	EPF-3236-16	32 <sup>+0.150</sup> / <sub>+0.050</sub>	36	40	16	
EPF-0810-07				7.5	EPF-3236-26				26					
EPF-0810-09				9.5	EPF-3539-16				35 <sup>+0.150</sup> / <sub>+0.050</sub>	39	47	16		
EPF-1012-07	7	EPF-3539-26	26											
EPF-1012-09	10 <sup>+0.083</sup> / <sub>+0.025</sub>	12	18	9	2	EPF-3842-22			38 <sup>+0.150</sup> / <sub>+0.050</sub>	42	54	22		
EPF-1012-10				10		EPF-4044-30						40 <sup>+0.150</sup> / <sub>+0.050</sub>	44	52
EPF-1012-12				12		EPF-4044-40	40							
EPF-1012-15				15		EPF-4550-50	45 <sup>+0.150</sup> / <sub>+0.050</sub>		50	58	50			
EPF-1012-17				17		EPF-5055-40					50 <sup>+0.150</sup> / <sub>+0.050</sub>	55	63	40
EPF-1214-07				12 <sup>+0.102</sup> / <sub>+0.032</sub>		14	20		7	1				EPF-5055-50
EPF-1214-09	9	EPF-6065-50	60											
EPF-1214-10	10	EPF-6570-50	65 <sup>+0.180</sup> / <sub>+0.060</sub>						70		78	78		
EPF-1214-12	12	EPF-7075-50						70						
EPF-1214-15	15	EPF-7580-50	75 <sup>+0.180</sup> / <sub>+0.060</sub>					80	88		88			
EPF-1214-17	17	EPF-8085-100									80 <sup>+0.180</sup> / <sub>+0.060</sub>	85	93	100
EPF-1214-20	20	EPF-8590-100	85											
EPF-1416-10	14 <sup>+0.102</sup> / <sub>+0.032</sub>	16	22		10			EPF-9095-100	90 <sup>+0.212</sup> / <sub>+0.072</sub>		95	103		
EPF-1416-12					12			EPF-95100-100					95 <sup>+0.212</sup> / <sub>+0.072</sub>	
EPF-1416-17					17			EPF-100105-100	100					
EPF-1517-09	15 <sup>+0.102</sup> / <sub>+0.032</sub>	17	23	9	EPF-110115-100	110 <sup>+0.212</sup> / <sub>+0.072</sub>	115	123	100		2.5			
EPF-1517-12				12	EPF-120125-100							120 <sup>+0.212</sup> / <sub>+0.072</sub>	125	
EPF-1517-17				17	EPF-125130-100	125 <sup>+0.245</sup> / <sub>+0.085</sub>	130	138						
EPF-1517-20				20	EPF-130135-100					130				
EPF-1618-12	16 <sup>+0.102</sup> / <sub>+0.032</sub>	18	24	12	EPF-140145-100	140 <sup>+0.245</sup> / <sub>+0.085</sub>	145	153						
EPF-1618-17				17	EPF-150155-100					150				
EPF-1820-12	18 <sup>+0.102</sup> / <sub>+0.032</sub>	20	26	12										