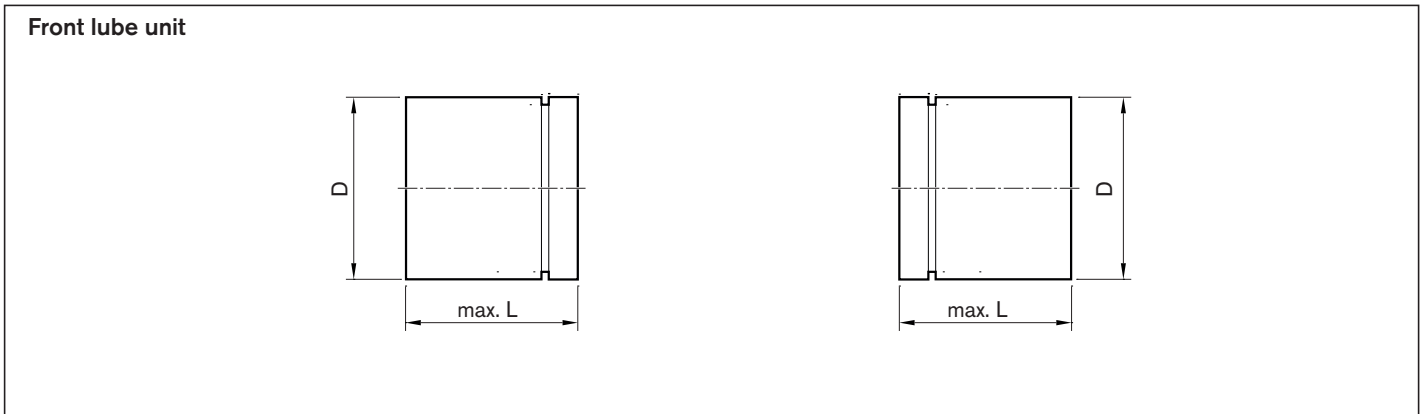
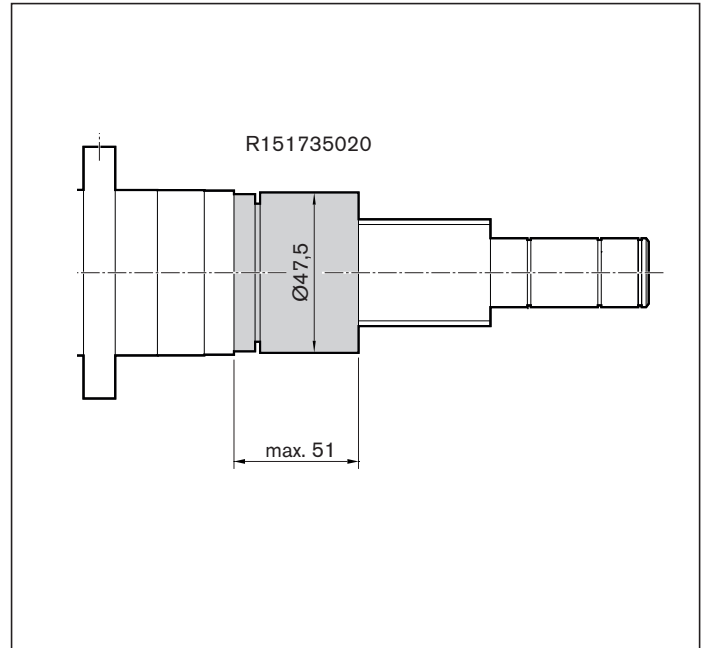
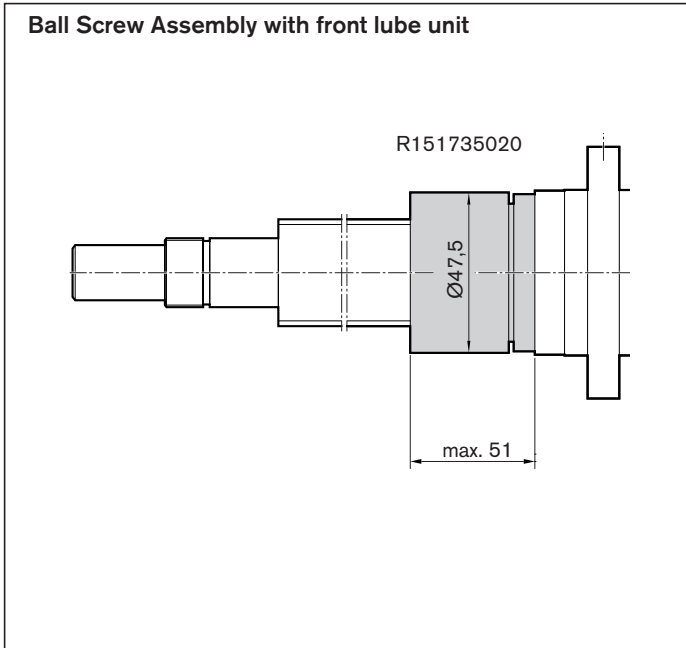


Technical data



Note: The front lube unit is delivered ready-mounted to the Ball Screw Assembly. Only installation by the manufacturer is permitted.

Size of VSE d ₀ x P	Part number	(mm)		Weight (kg)	
		D	L	m	
20 x 5 R	R151715000	32.60	51.00	0,021	
20 x 20 R					
25 x 5 R	R151725010	37.50	51.00	0,027	
25 x 10 R					
25 x 25 R					
32 x 5 R	R151735020	47.50	51.00	0,042	
32 x 10 R					
32 x 20 R					
32 x 32 R					
40 x 5 R	R151745030	55.50	53.00	0,055	
40 x 10 R	R151745040	62.30	51.00	0,070	
40 x 20 R					
40 x 40 R					