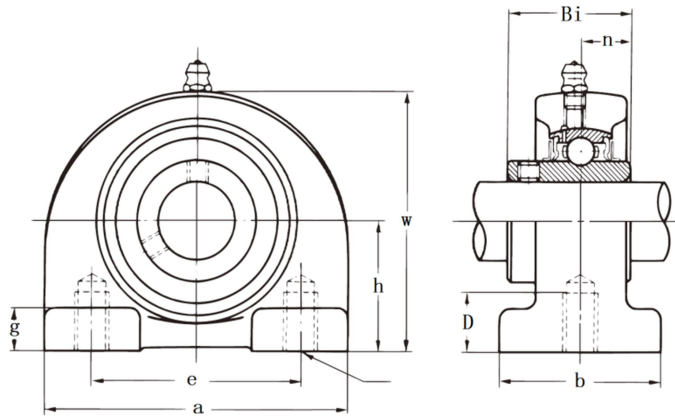


UCPA



| 型號 | 主要規格 | | 重點尺寸(mm) | | | | | | | | | | 額定荷載(kgs) | | 重量 kgs | |
|----------|------|--------------------------------|----------|-----|----|----|----|----|-----|----|------|------|-----------|-----------|-----------|-----------|
| | mm | in | h | a | e | b | s | g | w | D | Bi | n | 螺絲 尺寸 | 額定動 荷載 | | 額定靜 荷載 |
| UCPA-201 | 12 | $\frac{1}{2}$ | 30.2 | 76 | 52 | 38 | 10 | 11 | 62 | 12 | 31 | 12.7 | M10 | 1280 | 750 | 0.64 |
| UCPA-202 | 15 | $\frac{9}{16}, \frac{5}{8}$ | 30.2 | 76 | 52 | 38 | 10 | 11 | 62 | 12 | 31 | 12.7 | M10 | 1280 | 750 | 0.64 |
| UCPA-203 | 17 | $\frac{11}{16}$ | 30.2 | 76 | 52 | 38 | 10 | 11 | 62 | 12 | 31 | 12.7 | M10 | 1280 | 750 | 0.64 |
| UCPA-204 | 20 | $\frac{3}{4}$ | 30.2 | 76 | 52 | 38 | 10 | 11 | 62 | 12 | 31 | 12.7 | M10 | 1280 | 750 | 0.64 |
| UCPA-205 | 25 | $\frac{7}{8}, 1$ | 36.5 | 84 | 56 | 38 | 10 | 12 | 72 | 15 | 34 | 14.3 | M10 | 1400 | 790 | 0.83 |
| UCPA-206 | 30 | $1\frac{1}{8}, 1\frac{3}{16}$ | 42.9 | 94 | 66 | 48 | 14 | 12 | 84 | 18 | 38.1 | 15.9 | M14 | 1950 | 1130 | 1.2 |
| UCPA-207 | 35 | $1\frac{1}{4}, 1\frac{3}{8}$ | 47.6 | 110 | 80 | 48 | 14 | 13 | 95 | 20 | 42.9 | 17.5 | M14 | 2570 | 1540 | 1.7 |
| UCPA-208 | 40 | $1\frac{1}{2}, 1\frac{9}{16}$ | 49.2 | 116 | 84 | 54 | 14 | 13 | 100 | 20 | 49.2 | 19 | M14 | 2910 | 1790 | 2.0 |
| UCPA-209 | 45 | $1\frac{5}{8}, 1\frac{3}{4}$ | 54.2 | 120 | 90 | 54 | 14 | 13 | 108 | 25 | 49.2 | 19 | M14 | 3270 | 2040 | 2.2 |
| UCPA-210 | 50 | $1\frac{7}{8}, 1\frac{15}{16}$ | 57.2 | 130 | 94 | 60 | 16 | 14 | 116 | 25 | 51.6 | 19 | M16 | 3510 | 2320 | 2.8 |

運座軸承