

Nuts

Cylindrical Single Nut ZEM-E-S

Standard series

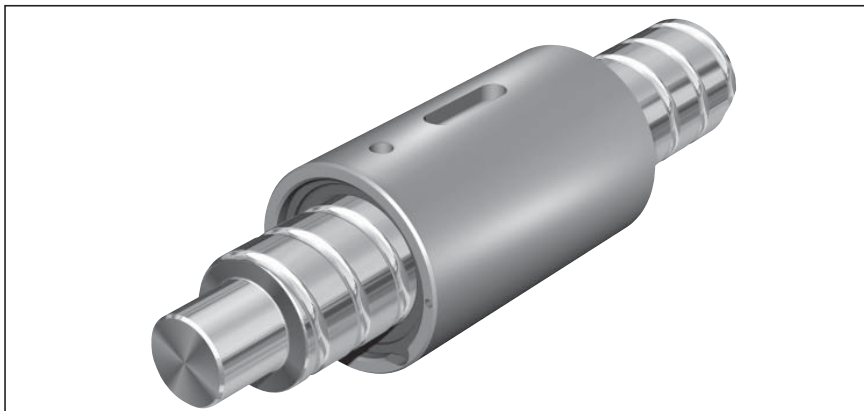
Rexroth mounting dimensions

With standard seals

Reinforced seals, see page 126

With backlash, reduced backlash,
preload 2%; 3%; 5%For precision-rolled screws SN-R
of tolerance grade T5, T7, T9

With left-hand thread in some versions

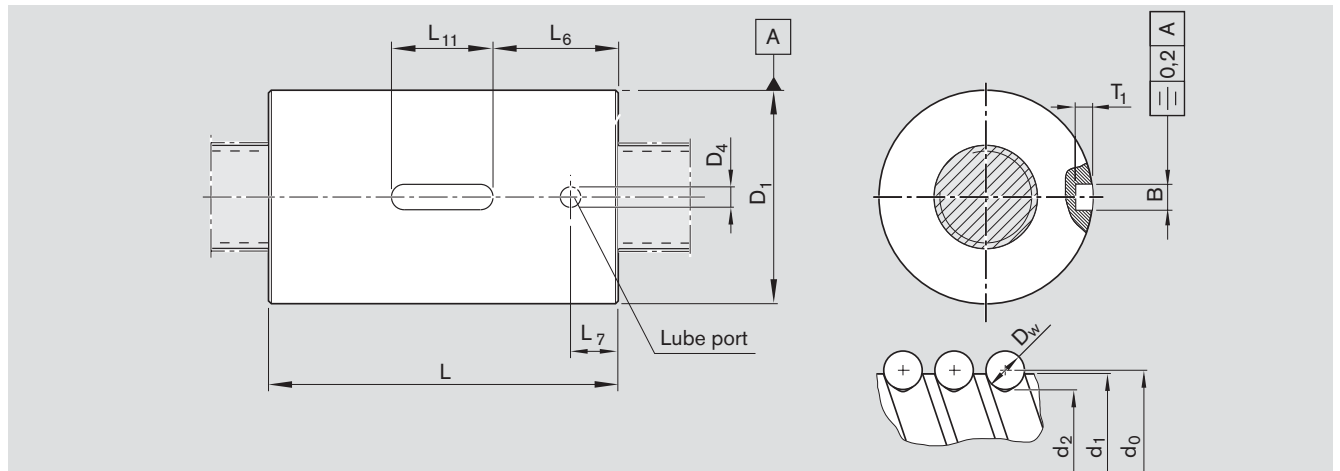
Ordering code: **ZEM-E-S 20 x 5R x 3-5 1 2 T7 R 82Z120 41Z120 1250 0 1**

d_0 = nominal diameter
 P = lead
 (R = right-hand, L = left-hand)
 D_w = ball diameter
 i = number of ball track turns

Category	Size $d_0 \times P \times D_w - i$	Part number	Load ratings		Linear speed ¹⁾ v_{max} (m/min)
			dyn. C (N)	stat. C ₀ (N)	
A	8 x 2.5R x 1.588 - 3	R1532 230 02	2200	2800	15
B ²⁾	12 x 2R x 1.2 - 4	R1532 422 01	2240	4160	12
A	12 x 5R x 2 - 3	R1532 460 32	3800	5800	30
A ²⁾	12 x 5R x 2 - 3	R1532 462 25	3800	5800	30
B	12 x 10R x 2 - 2	R1532 490 22	2500	3600	60
B ²⁾	12 x 10R x 2 - 2	R1532 492 00	2500	3600	60
A	16 x 5R x 3 - 4	R1512 010 22	12300	16100	30
B	16 x 5L x 3 - 4	R1552 010 02	12300	16100	30
B ²⁾	16 x 5R x 3 - 4	R1512 012 67	12300	16100	30
A	16 x 10R x 3 - 3	R1512 040 12	9600	12300	60
B ²⁾	16 x 10R x 3 - 3	R1512 042 08	9600	12300	60
B ²⁾	16 x 10R x 3 - 3	R1512 042 09	9600	12300	60
B	16 x 16R x 3 - 2	R1512 060 12	6300	7600	96
B ²⁾	16 x 16R x 3 - 2	R1512 062 10	6300	7600	96
B ²⁾	16 x 16R x 3 - 3	R1512 062 11	9600	12300	96
A	20 x 5R x 3 - 5	R1512 110 12	17500	27300	30
B ²⁾	20 x 5R x 3 - 4	R1512 112 43	14300	21500	30
A	20 x 10R x 3 - 4	R1512 140 12	14100	21300	60
A	20 x 20R x 3.5 - 2	R1512 170 12	9100	12100	120
B	20 x 20R x 3.5 - 3	R1512 170 52	13300	18800	120
B ²⁾	20 x 20R x 3.5 - 3	R1512 172 07	13300	18800	120
A	25 x 5R x 3 - 4	R1512 210 12	15900	27200	30
A	25 x 10R x 3 - 4	R1512 240 12	15700	27000	60
B	25 x 25R x 3.5 - 2	R1512 280 12	10100	15100	150
B	25 x 25R x 3.5 - 3	R1512 280 52	14700	23300	150
B	32 x 5R x 3.5 - 4	R1512 310 12	21600	40000	23
B	32 x 5R x 3.5 - 4	R1512 310 52	21600	40000	23
A	32 x 10R x 3.969 - 5	R1512 340 12	31700	58300	47
B	32 x 10R x 3.969 - 5	R1512 340 52	31700	58300	47
C	32 x 20R x 3.969 - 2	R1512 370 12	13500	21800	94
B	32 x 20R x 3.969 - 3	R1512 370 52	19700	33700	94
C	32 x 32R x 3.969 - 2	R1512 390 12	13400	22000	150
B	32 x 32R x 3.969 - 3	R1512 390 52	19500	34000	150
C	40 x 5R x 3.5 - 5	R1512 410 12	29100	64100	19
B ²⁾	40 x 5R x 3.5 - 5	R1512 412 21	29100	64100	19
B	40 x 10R x 6 - 4	R1512 440 12	50000	86400	38
B	40 x 20R x 6 - 3	R1512 470 12	37900	62800	75
C	40 x 40R x 6 - 2	R1512 490 12	25500	40300	150
B	40 x 40R x 6 - 3	R1512 490 52	37000	62300	150
C	50 x 5R x 3.5 - 5	R1512 510 12	32000	81300	15
C	50 x 10R x 6 - 6	R1512 540 12	79700	166500	30
C	50 x 20R x 6.5 - 3	R1512 570 12	47900	87900	60
C	63 x 10R x 6 - 6	R1512 640 12	88800	214300	24

1) See page 115 Characteristic speed $d_0 \cdot n$ and page 150 Critical speed n_c

2) Special nuts for Rexroth modules and drive units



Size $d_0 \times P \times D_w - i$	Dimensions (mm)										Weight	
	d_1	d_2	D_1 g6	D_4	L $\pm 0,1$	L_6	L_7	L_{11} $+0,2$	B P9	T_1 $+0,1$	m (kg)	
8 x 2.5R x 1.588 - 3	7.5	6.3	16	2	16	5.0	3.5	6	3	1.8	0.02	
12 x 2R x 1.2 - 4	11.7	10.8	21	2	19	5.5	3.5	8	3	1.8	0.03	
12 x 5R x 2 - 3	11.4	9.9	24	2	28	8.0	3.5	12	5	3.0	0.06	
12 x 5R x 2 - 3	11.4	9.9	21	2	28	8.0	3.5	12	3	1.8	0.04	
12 x 10R x 2 - 2	11.4	9.9	24	2	33	10.5	3.5	12	5	3.0	0.07	
12 x 10R x 2 - 2	11.4	9.9	21	2	33	10.5	3.5	12	3	1.8	0.05	
16 x 5R x 3 - 4	15.0	12.9	28	4	35	14.5	9.5	12	5	3.0	0.09	
16 x 5L x 3 - 4	15.0	12.9	28	4	35	14.5	9.5	12	5	3.0	0.09	
16 x 5R x 3 - 4	15.0	12.9	33	2	45	14.5	9.5	16	5	3.0	0.17	
16 x 10R x 3 - 3	15.0	12.9	28	4	45	14.5	9.5	16	5	3.0	0.12	
16 x 10R x 3 - 3	15.0	12.9	38	4	54	19.0	9.5	16	5	3.0	0.35	
16 x 10R x 3 - 3	15.0	12.9	33	4	45	14.5	9.5	16	5	3.0	0.20	
16 x 16R x 3 - 2	15.0	12.9	33	4	45	14.5	9.5	16	5	3.0	0.20	
16 x 16R x 3 - 2	15.0	12.9	28	4	45	14.5	9.5	16	5	3.0	0.12	
16 x 16R x 3 - 3	15.0	12.9	38	4	61	22.5	9.5	16	5	3.0	0.42	
20 x 5R x 3 - 5	19.0	16.9	33	4	45	14.5	9.5	16	5	3.0	0.16	
20 x 5R x 3 - 4	19.0	16.9	38	4	40	21.0	9.5	12	5	3.0	0.21	
20 x 10R x 3-4	19.0	16.9	33	4	60	22.0	9.5	16	5	3.0	0.16	
20 x 20R x 3.5 - 2	19.0	16.7	38	4	64	22.0	9.5	20	5	3.0	0.34	
20 x 20R x 3.5 - 3	19.0	16.7	36	4	77	28.5	9.5	20	5	3.0	0.37	
20 x 20R x 3.5 - 3	19.0	16.7	38	4	77	28.5	9.5	20	5	3.0	0.44	
25 x 5R x 3 - 4	24.0	21.9	38	4	45	14.5	9.5	16	5	3.0	0.19	
25 x 10R x 3 - 4	24.0	21.9	38	4	64	22.0	9.5	20	5	3.0	0.28	
25 x 25R x 3.5 - 2	24.0	21.4	48	4	80	30.0	10.5	20	5	3.0	0.73	
25 x 25R x 3.5 - 3	24.0	21.4	40	4	95	37.5	10.5	20	5	3.0	0.50	
32 x 5R x 3.5 - 4	31.0	28.4	48	4	48	14.0	9.5	20	5	3.0	0.32	
32 x 5R x 3.5 - 4	31.0	28.4	50	4	48	14.0	9.5	20	5	3.0	0.35	
32 x 10R x 3.969 - 5	31.0	27.9	48	4	77	28.5	9.5	20	5	3.0	0.50	
32 x 10R x 3.969 - 5	31.0	27.9	50	4	77	28.5	9.5	20	5	3.0	0.61	
32 x 20R x 3.969 - 2	31.0	27.9	56	4	64	22.0	9.5	20	5	3.0	0.74	
32 x 20R x 3.969 - 3	31.0	27.9	50	4	84	32.0	9.5	20	5	3.0	0.66	
32 x 32R x 3.969 - 2	31.0	27.9	56	4	88	34.0	9.5	20	5	3.0	1.03	
32 x 32R x 3.969 - 3	31.0	27.9	50	4	120	50.0	9.5	20	5	3.0	0.97	
40 x 5R x 3.5 - 5	39.0	36.4	56	4	54	17.0	9.5	20	5	3.0	0.44	
40 x 5R x 3.5 - 5	39.0	36.4	63	4	70	25.0	14.0	20	5	3.0	0.82	
40 x 10R x 6 - 4	38.0	33.8	63	4	70	25.0	14.0	20	5	3.0	0.88	
40 x 20R x 6 - 3	38.0	33.8	63	4	88	34.0	14.0	20	5	3.0	1.13	
40 x 40R x 6 - 2	38.0	33.8	72	4	113	46.5	14.0	20	5	3.0	2.23	
40 x 40R x 6 - 3	38.0	33.8	63	4	142	61.0	14.0	20	5	3.0	1.85	
50 x 5R x 3.5 - 5	49.0	46.4	68	4	54	17.0	9.5	20	5	3.0	0.62	
50 x 10R x 6 - 6	48.0	43.8	72	5	90	35.0	14.0	20	5	3.0	1.34	
50 x 20R x 6.5 - 3	48.0	43.4	85	5	92	30.0	14.0	32	6	3.5	2.39	
63 x 10R x 6 - 6	61.0	56.8	85	5	90	29.0	14.0	32	6	3.5	1.59	