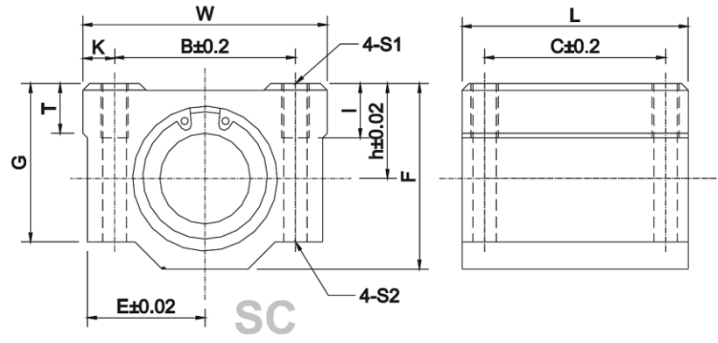


# Linear Bearing Block-SC



Model No.	Shaft diameter	Main Dimensions							Mounting Dimensions						Weight (KG)
		h	E	W	L	F	G	T	B	C	K	S1	S2	I	
SC 8	8	11	17	34	30	22	18	6	24	18	5	M4	3.4	8	0.052
SC10	10	13	20	40	35	26	21	8	28	21	6	M5	4.3	12	0.092
SC12	12	15	21	42	36	28	24	8	30.5	26	5.75	M5	4.3	12	0.102
SC13	13	15	22	44	39	30	24.5	8	33	26	5.5	M5	4.3	12	0.12
SC16	16	19	25	50	44	38.5	32.5	9	36	34	7	M5	4.3	12	0.2
SC20	20	21	27	54	50	41	35	11	40	40	7	M6	5.2	12	0.255
SC25	25	26	38	76	67	51.5	42	12	54	54	11	M8	7	18	0.6
SC30	30	30	39	78	72	59.5	49	15	58	58	10	M8	7	18	0.735
SC35	35	34	45	90	80	68	54	18	70	70	10	M8	7	18	1.1
SC40	40	40	51	102	90	78	62	20	80	80	11	M10	8.7	25	1.59
SC50	50	52	61	122	110	102	80	25	100	100	11	M10	8.7	25	3.34
SC60	60	58	66	132	122	114	94	30	108	108	12	M12	10.7	25	4.72