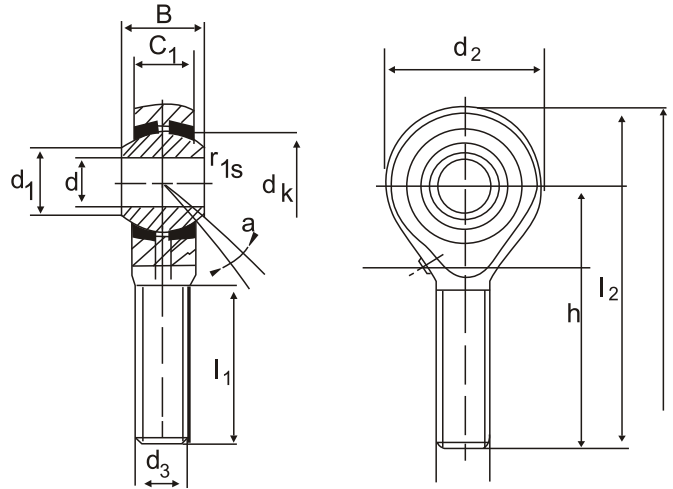


鑲墊式外螺紋杆端關節軸承 Spherical Plain Bearings Rod End(Lubricant Type)

POS...

POSL...(左旋)



Material	
Ball	Chromium Steel Gcr15,heat treated,hard chrome plated
Race	Copper alloy
Body	Low carbon steel,heat treated,nickle plated

軸承型號 Bearing Number	外形尺寸 Boundary Dimensions (mm)									基本額定負荷 Basic Load Rating		≈ a°	重量 Weight (g)
	d	d2	B	C1	d3	h	l1	L2	d1	Cd	Cs		
POS5	5	16	8	6	M5X0.8	33	20	41	7.7	3.3	3.9	13	12.5
POS6	6	18	9	6.75	M6X1	36	22	45	9	4.3	5.3	13	19
POS8	8	22	12	9	M8X1.25	42	25	53	10.4	6.8	8.5	13	32
POS10	10	26	14	10.5	M10X1.5	48	29	61	12.9	10	11	13	54
POS12	12	30	16	12	M12X1.75	54	33	69	15.4	13	14	13	5
POS14	14	34	19	13.5	M14X2	60	36	77	16.9	17	20	13	126
POS16	16	38	21	15	M16X2	66	40	85	19.4	21	25	13	185
POS18	18	42	23	16.5	M18X1.5	72	44	93	21.9	26	30	13	260
POS20	20	46	25	18	M20X1.5	78	47	101	24.4	31	35	13	340
POS22	22	50	28	20	M22X1.5	84	51	109	25.8	38	43	13	435
POS25	25	60	31	22	M24X2	94	57	124	29.6	47	65	13	650
POS28	28	66	35	25	M27X2	103	62	136	32.3	59	77	13	875
POS30	30	70	37	25	M30X2	110	66	145	34.8	63	86	13	1070

注: POS5-6: 無油嘴.