

Standard Runner Blocks, Steel version

Runner Block FLS

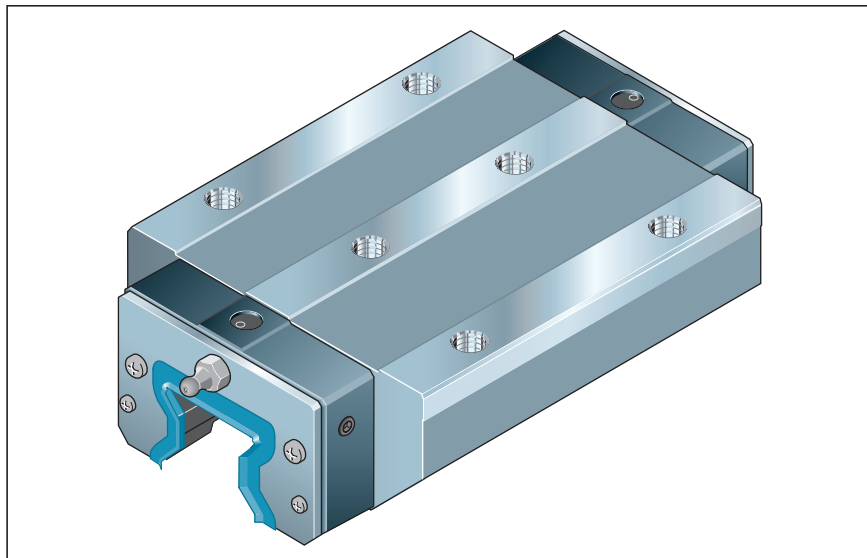
Runner block FLS R1853 ... 10 Flanged, long, standard height

Further runner block versions

- with aluminum end caps
- for oil and grease lubrication from above
- for central oil lubrication systems
- for wall mounting

See the relevant sections for part numbers.

For corrosion-resistant runner blocks, Resist CR, matte silver hard chrome plated, see section on "Standard Runner Blocks, Resist CR".



Recommended preload and accuracy class combinations

- For preload class C2: H and P
 - For preload class C3: P and SP
- Preference should be given to runner blocks with preload C2.
Runner blocks with preload C1 are available on request. Part number: R1853 .1. 10

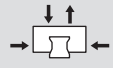


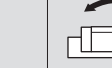
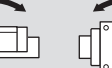

Size	Accuracy class	Part numbers for preload class	
		C2	C3
25	H	R1853 223 10	-
	P	R1853 222 10	R1853 232 10
	SP	R1853 221 10	R1853 231 10
	UP	R1853 229 10	R1853 239 10
35	H	R1853 323 10	-
	P	R1853 322 10	R1853 332 10
	SP	R1853 321 10	R1853 331 10
	UP	R1853 329 10	R1853 339 10
45	H	R1853 423 10	-
	P	R1853 422 10	R1853 432 10
	SP	R1853 421 10	R1853 431 10
	UP	R1853 429 10	R1853 439 10
55	H	R1853 523 10	-
	P	R1853 522 10	R1853 532 10
	SP	R1853 521 10	R1853 531 10
	UP	R1853 529 10	R1853 539 10
65	H	R1853 623 10	-
	P	R1853 622 10	R1853 632 10
	SP	R1853 621 10	R1853 631 10
	UP	R1853 629 10	R1853 639 10

Preload classes

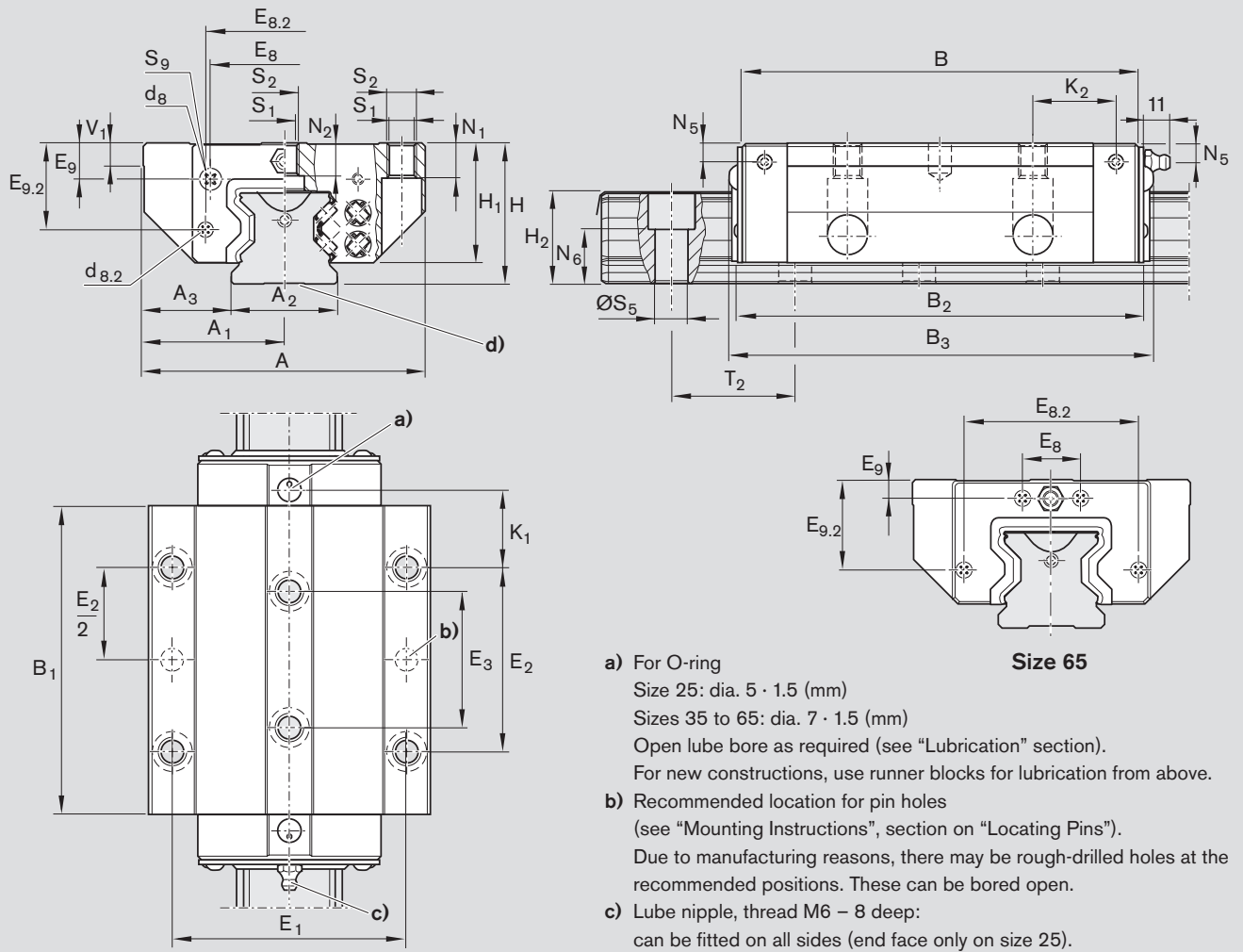
- C1 = preload 3% C (on request)
- C2 = preload 8% C
- C3 = preload 13% C

Note on dynamic load capacities and moments (see table)

The dynamic load capacities and moments are based on 100,000 m travel. However, a travel of just 50,000 m is often taken as a basis. If this is the case, for comparison purposes: Multiply values **C**, **M_t** and **M_L** from the table by 1.23.

Size	Load capacities (N)		Moment loads (Nm)			
	 C	 C ₀	 M _t	 M _{t0}	 M _L	 M _{L0}
25	33 300	70 000	432	908	420	900
35	69 700	149 300	1 375	2 953	1 135	2 430
45	119 200	256 600	2 941	6 331	2 520	5 430
55	165 000	345 300	4 837	10 122	4 030	8 440
65	265 500	525 600	9 410	18 630	7 960	15 760

Standard runner block FLS R1853 ... 10



- a) For O-ring
 Size 25: dia. 5 · 1.5 (mm)
 Sizes 35 to 65: dia. 7 · 1.5 (mm)
 Open lube bore as required (see "Lubrication" section).
 For new constructions, use runner blocks for lubrication from above.
- b) Recommended location for pin holes
 (see "Mounting Instructions", section on "Locating Pins").
 Due to manufacturing reasons, there may be rough-drilled holes at the recommended positions. These can be bored open.
- c) Lube nipple, thread M6 – 8 deep:
 can be fitted on all sides (end face only on size 25).
 Other lube fittings will have different dimensions.
 For more details on lube fittings, see the "Accessories" section.
- d) Due to manufacturing reasons, guide rails in accuracy class H may not have a slot on the base.

Size	Dimensions (mm)																
	A	A ₁	A ₂	A ₃	B	B ₁	B ₂	B ₃	d ₈	d _{8.2}	E ₁	E ₂	E ₃	E ₈	E _{8.2}	E ₉	E _{9.2}
25	70	35	23	23.5	109.0	81.5	111.0	115	6	5	57	45	40	33.4	40.22	8.40	21.40
35	100	50	34	33.0	138.0	103.6	140.0	145	6	5	82	62	52	50.3	56.60	13.10	29.10
45	120	60	45	37.5	172.5	134.0	176.5	183	8	6	100	80	60	62.9	69.55	16.70	36.50
55	140	70	53	43.5	205.5	162.1	209.5	216	10	6	116	95	70	74.2	81.60	18.85	40.75
65	170	85	63	53.5	254.0	194.0	258.5	264	8	8	142	110	82	35.0	106.00	9.30	55.00

Size	Dimensions (mm)																	Weight kg
	H	H ₁	H ₂ ¹⁾	H ₂ ²⁾	K ₁	K ₂	N ₁	N ₂	N ₅	N ₆ ^{±0.5}	S ₁	S ₂	S ₅	S ₉ ³⁾	T ₂ ⁴⁾	V ₁		
25	36	30	23.60	23.40	23.10	-	9	7.3	5.5	14.3	6.8	M8	7	M3-5deep	30.0	7.5	1.1	
35	48	41	31.10	30.80	27.55	29.4	12	11.0	7.0	19.4	8.6	M10	9	M3-5deep	40.0	8.0	2.5	
45	60	51	39.10	38.80	33.70	36.6	15	13.5	8.0	22.4	10.5	M12	14	M4-7deep	52.5	10.0	4.7	
55	70	58	47.85	47.55	41.25	44.4	18	13.7	9.0	28.7	12.5	M14	16	M5-8deep	60.0	12.0	7.7	
65	90	76	58.15	57.85	53.80	57.0	23	21.5	9.3	36.5	14.5	M16	18	M4-7deep	75.0	15.0	14.5	

1) Dimension H₂ with cover strip
 2) Dimension H₂ without cover strip

3) Thread for attachments
 4) Dimension T₂ = hole spacing in the guide rail