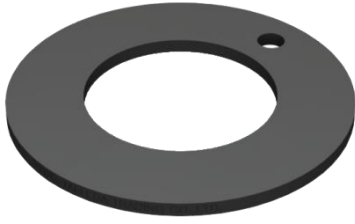


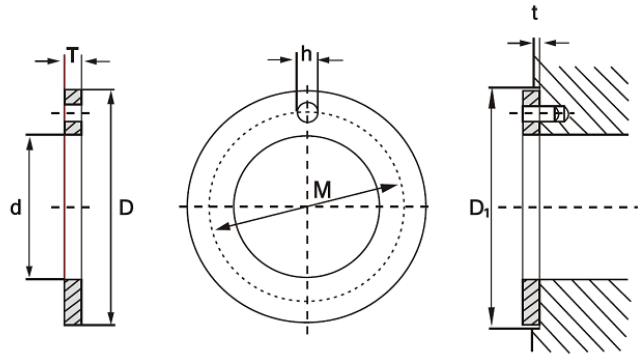
# Plastic Plain Washers-EPW



Order  
**EP2 W-0818-015**

Material  
Washer

d D T



Designation	d+0.25	D-0.25	T-0.05	M±0.125	$h_{+0.1}^{+0.4}$	t±0.2	D <sub>1</sub> +0.12
EPW-0818-015	8	18	1.5	13	1.5	1	18
EPW-1018-015	10	18		15			20
EPW-1224-015	12	24		18			24
EPW-1426-015	14	26		20	2		26
EPW-1630-015	16	30		23			30
EPW-1832-015	18	32		25	3		32
EPW-2036-015	20	36		28			36
EPW-2238-015	22	38		30			38
EPW-2442-015	24	42		33	4		42
EPW-2644-015	26	44		35			44
EPW-2848-015	28	48		38			48
EPW-3254-015	32	54		43	1.5		54
EPW-3862-015	38	62		50			62
EPW-4266-015	42	66		54			66
EPW-4874-020	48	74		2	61		1.5
EPW-5278-020	52	78	65		78		
EPW-6290-020	62	90	76		90		