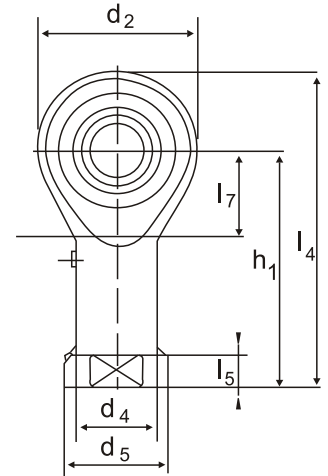
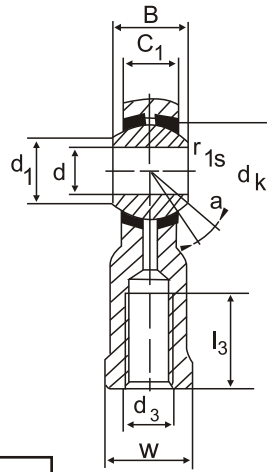


鑲墊式內螺紋杆端關節軸承 Spherical Plain Bearings Rod End(Lubricant Type)

PHS...

PHSL...(左旋)



Material	
Ball	Chromium Steel Gcr15,heat treated,hard chrome plated
Race	Copper alloy
Body	Low carbon steel,heat treated,nickle plated

軸承型號 Bearing Number	外形尺寸 Boundary Dimensions (mm)												基本額定負荷 Basic Load		≈a°	重量 Weight (g)	
	d	d2	B	C1	W	d3	d4	d5	h1	L3	L4	L5	d1	Cd			Cs
PHS5	5	16	8	6	9	M5X0.8	9	11	27	14	35	4	7.7	3.3	3.9	13	16
PHS6	6	18	9	6.75	11	M6X1	10	13	30	14	39	5	9	4.3	5.3	13	26
PHS8	8	22	12	9	14	M8X1.25	12.5	16	36	17	47	5	10.4	6.8	8.5	13	44
PHS10	10	26	14	10.5	17	M10X1.5	15	19	43	21	56	6.5	12.9	10	11	13	72
PHS12	12	30	16	12	19	M12X1.75	17.5	22	50	24	65	6.5	15.4	13	14	13	108
PHS14	14	34	19	13.5	22	M14X2	20	25	57	27	74	8	16.9	17	20	13	161
PHS16	16	38	21	15	22	M16X2	22	27	64	33	83	8	19.4	21	25	13	225
PHS18	18	42	23	16.5	27	M18X1.5	25	31	71	36	92	10	21.9	26	30	13	295
PHS20	20	46	25	18	30	M20X1.5	27.5	34	77	40	100	10	24.4	31	35	13	382
PHS22	22	50	28	20	32	M22X1.5	30	37	84	43	109	12	25.8	38	43	13	488
PHS25	25	60	31	22	36	M24X2	33.5	42	94	48	124	12	29.6	47	65	13	749
PHS28	28	66	35	25	41	M27X2	37	46	103	53	136	12	32.3	59	77	13	949
PHS30	30	70	37	25	41	M30X2	40	50	110	56	145	15	34.8	63	86	13	1130