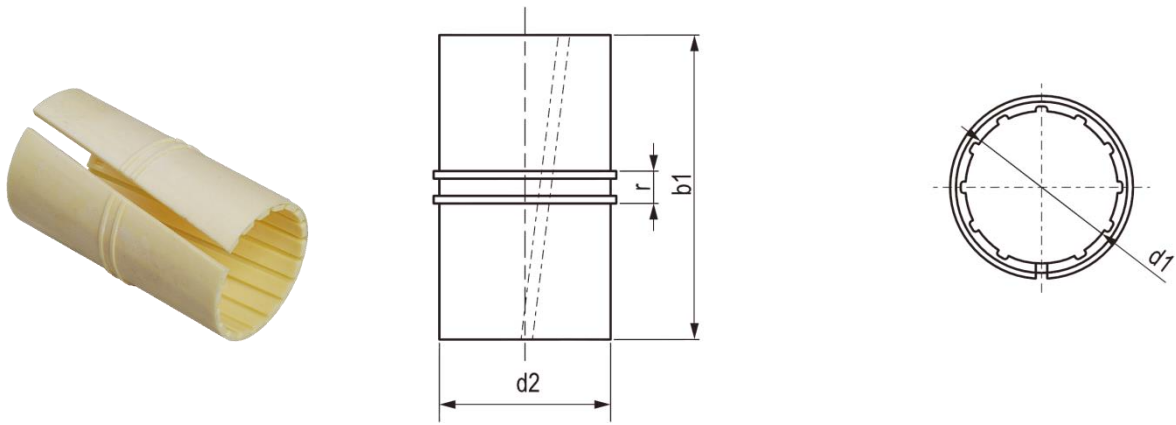


樹脂直線軸承-LIN-11 滑動膜



型號	d1 mm	公差 mm	d2 mm	b1 mm	r(-0.1/-0.2) mm	重量 g
LIN-11-10	10	+0.030 ~ -0.070	12	29	3.0	1.3
LIN-11-12	12	+0.030 ~ -0.070	14	31	3.0	1.6
LIN-11-16	16	+0.030 ~ -0.070	18	35	3.5	2.2
LIN-11-20	20	+0.030 ~ -0.070	23	44	5.0	5.0
LIN-11-25	25	+0.030 ~ -0.070	28	57	5.0	8.0
LIN-11-30	30	+0.040 ~ -0.085	34	67	5.0	15.1
LIN-11-40	40	+0.040 ~ -0.085	44	79	6.0	25.6
LIN-11-50	50	+0.040 ~ -0.085	55	99	7.0	50.6

裝配尺寸

型號	d1 mm	D H7 mm	B h10 mm	r mm	t mm
LIN-11-10	10	12	29	3.0	1.0
LIN-11-12	12	14	32	3.0	1.0
LIN-11-16	16	18	36	3.5	1.0
LIN-11-20	20	23	45	5.0	1.0
LIN-11-25	25	28	58	5.0	1.0
LIN-11-30	30	34	68	5.0	1.0
LIN-11-40	40	44	80	6.0	1.5
LIN-11-50	50	55	100	7.0	1.5

