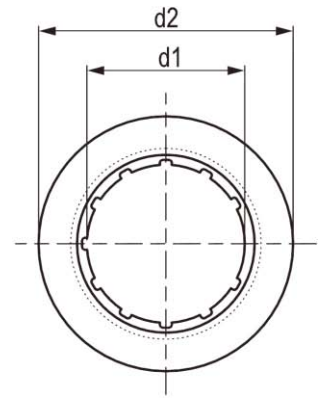
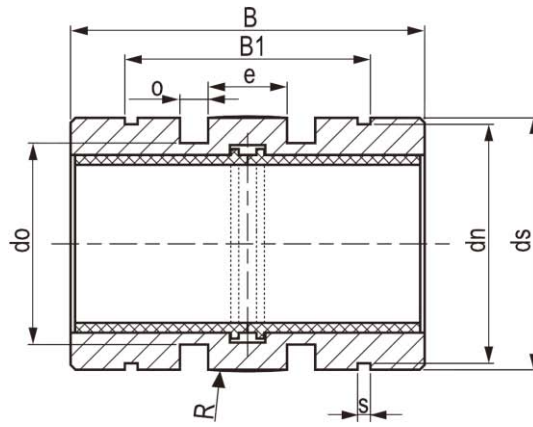


樹脂直線軸承-LIN-11RS



型號	d1 mm	公差 mm	d2 h8 mm	B h10 mm	B1 H10 mm	s H10 mm	dn h10 mm	ds h10 mm	do h10 mm
LIN-11RS-10	10	0.030 ~ 0.088	18.8	28.9	21.8	1.3	17.5	18.5	15.4
LIN-11RS-12	12	0.030 ~ 0.088	21.8	31.9	22.8	1.3	20.5	21.5	18.4
LIN-11RS-16	16	0.030 ~ 0.088	25.8	35.9	24.9	1.3	24.2	25.5	20.4
LIN-11RS-20	20	0.030 ~ 0.091	31.8	44.8	31.5	1.6	29.6	31.5	26.4
LIN-11RS-25	25	0.030 ~ 0.091	39.8	57.8	44.1	1.85	36.5	39.5	34.4
LIN-11RS-30	30	0.040 ~ 0.110	46.7	67.8	52.1	1.85	43.5	46.0	41.4
LIN-11RS-40	40	0.040 ~ 0.115	61.7	79.8	60.9	2.15	57.8	61.0	56.4
LIN-11RS-50	50	0.050 ~ 0.130	74.7	99.8	78.0	2.65	70.5	74.0	69.4

型號	d1 mm	o+0.1 mm	e mm	R mm	座孔 H7 mm	公差 mm	極限動荷載 P=5MPa mm	極限靜荷載 P=35MPa mm	重量 g
LIN-11RS-10	10	1.86	5.0	13.0	19	0 ~ 0.021	870 N	6090 N	12
LIN-11RS-12	12	1.86	6.0	18.0	22	0 ~ 0.021	1152 N	8064 N	18
LIN-11RS-16	16	2.86	8.0	32.0	26	0 ~ 0.021	1728 N	12096 N	23
LIN-11RS-20	20	2.86	10.0	50.0	32	0 ~ 0.025	2700 N	18900 N	43
LIN-11RS-25	25	2.86	12.5	39.0	40	0 ~ 0.025	4350 N	30650 N	95
LIN-11RS-30	30	2.86	15.0	57.0	47	0 ~ 0.025	6120 N	42840 N	145
LIN-11RS-40	40	2.86	20.0	100.0	62	0 ~ 0.030	9600 N	67200 N	316
LIN-11RS-50	50	2.86	25.0	157.0	75	0 ~ 0.030	15000 N	105000 N	550