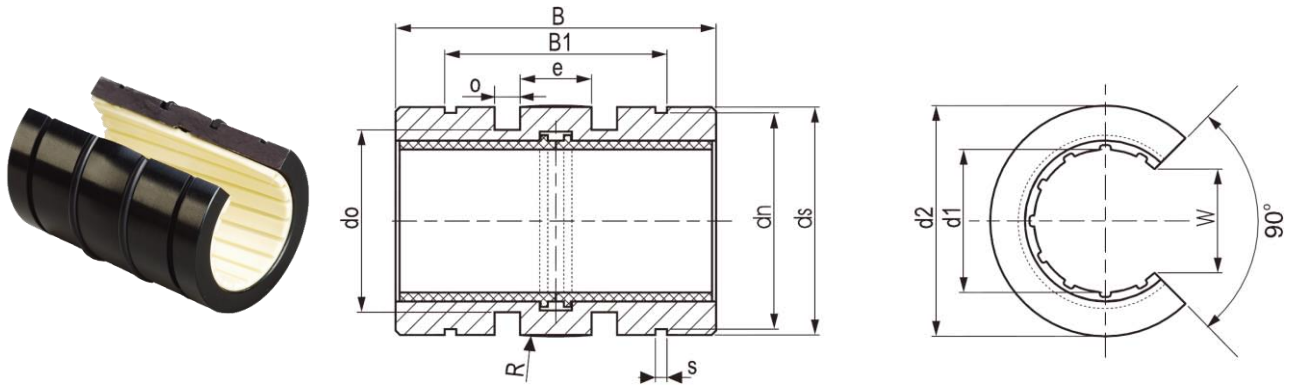


樹脂直線軸承-LIN-11RSK



型號	d1 mm	公差 mm	d2 h7 mm	B h10 mm	B1 H10 mm	s H10 mm	ds h10 mm	do h10 mm	W mm
LIN-11RSK-10	10	0.030 ~ 0.088	18.8	28.9	21.8	1.3	18.5	15.4	7.3
LIN-11RSK-12	12	0.030 ~ 0.088	21.8	31.9	22.8	1.3	21.5	18.4	9.0
LIN-11RSK-16	16	0.030 ~ 0.088	25.8	35.9	24.9	1.3	25.5	20.4	11.6
LIN-11RSK-20	20	0.030 ~ 0.091	31.8	44.8	31.5	1.6	31.5	26.4	12.0
LIN-11RSK-25	25	0.030 ~ 0.091	39.8	57.8	44.1	1.85	39.5	34.4	14.5
LIN-11RSK-30	30	0.040 ~ 0.110	46.7	67.8	52.1	1.85	46.0	41.4	16.6
LIN-11RSK-40	40	0.040 ~ 0.115	61.7	79.8	60.9	2.15	61.0	56.4	21.0
LIN-11RSK-50	50	0.050 ~ 0.130	74.7	99.8	78.0	2.65	74.0	69.4	25.5

型號	d1 mm	o+0.1 mm	e mm	R mm	座孔 H7 mm	公差 mm	極限動荷載 P=5MPa mm	極限靜荷載 P=35MPa mm	重量 g
LIN-11RSK-10	10	1.86	5.0	13	19	0 ~ 0.021	870 N	6090 N	9
LIN-11RSK-12	12	1.86	6.0	18	22	0 ~ 0.021	1152 N	8064 N	14
LIN-11RSK-16	16	2.86	8.0	32	26	0 ~ 0.021	1728 N	12096 N	18
LIN-11RSK-20	20	2.86	10.0	50	32	0 ~ 0.025	2700 N	18900 N	32
LIN-11RSK-25	25	2.86	12.5	39	40	0 ~ 0.025	4350 N	30650 N	71
LIN-11RSK-30	30	2.86	15.0	57	47	0 ~ 0.025	6120 N	42840 N	109
LIN-11RSK-40	40	2.86	20.0	100	62	0 ~ 0.030	9600 N	67200 N	237
LIN-11RSK-50	50	2.86	25.0	157	75	0 ~ 0.030	15000 N	105000 N	386